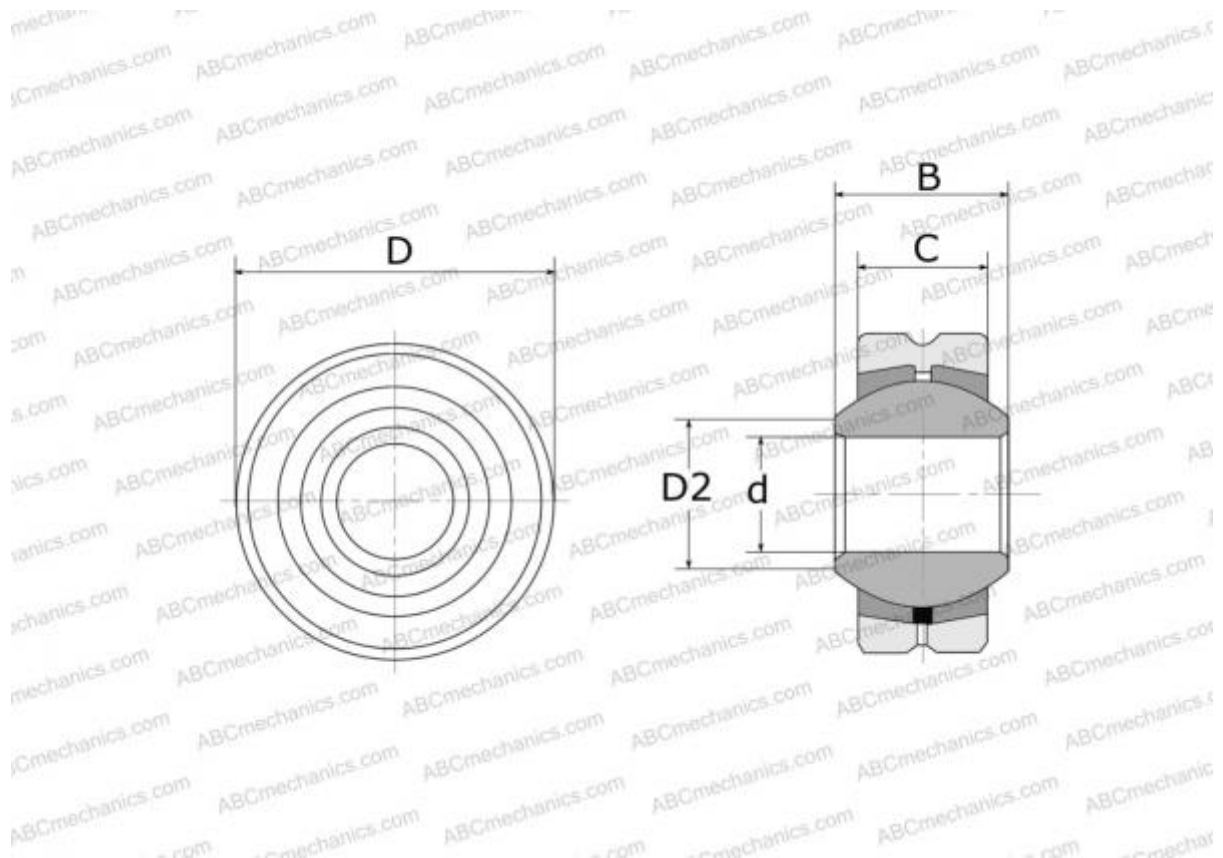


PB 10 ABC

Spherical plain bearings

TYPE: Plain bearings, Spherical plain bearings and rod ends, Radial spherical plain bearings, Requiring maintenance, Series PB



Technical specification

DIMENSIONS, MM

d	10,000
D	26,000
D2	12,900
B	14,000
C	10,500

WEIGHT, KG 0,039

MANUFACTURER [ABC](#)

INTERCHANGE

IKO	PB 10
HIRSCHMANN	SS 10