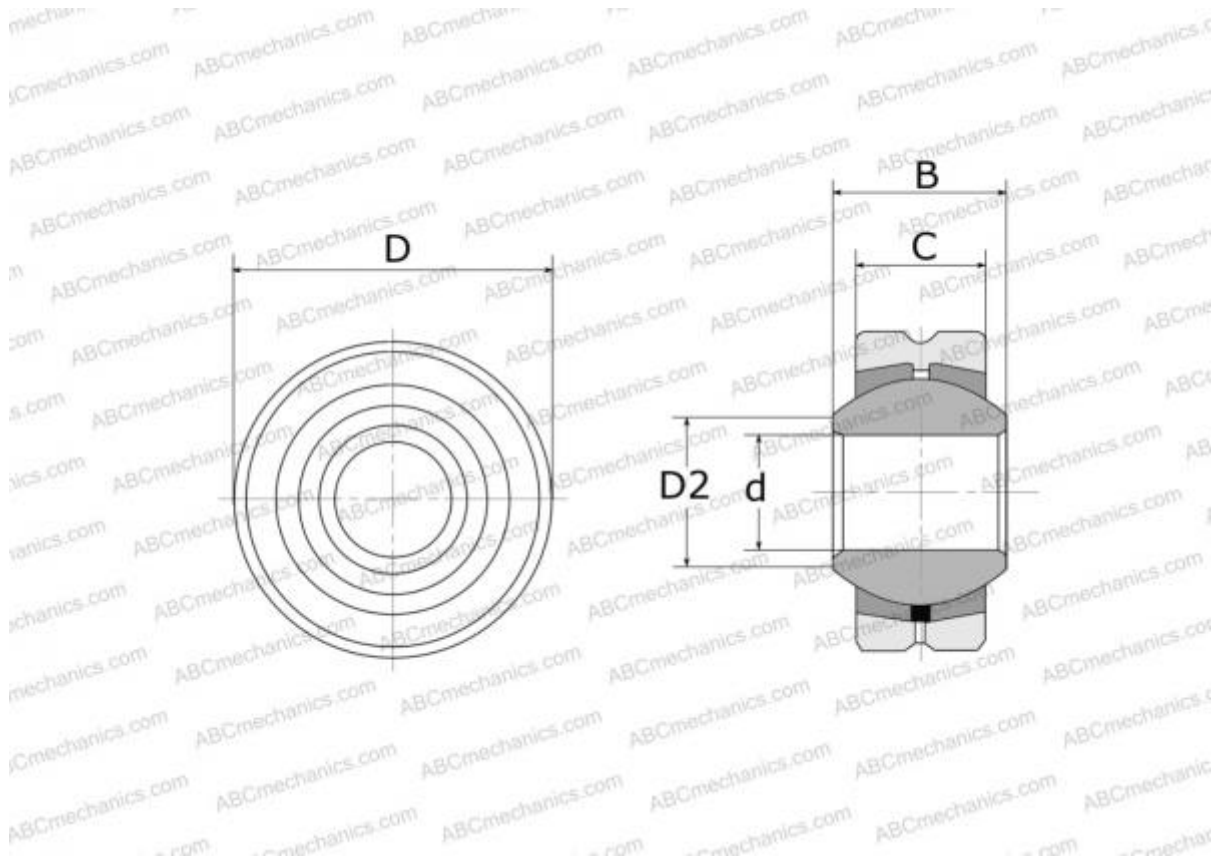


PB 20 IKO

Spherical plain bearings

TYPE: Plain bearings, Spherical plain bearings and rod ends, Radial spherical plain bearings, Requiring maintenance, Series PB



Technical specification

DIMENSIONS, MM

d	20,000
D	46,000
D2	24,400
B	25,000
C	18,000

WEIGHT, KG 0,210

MANUFACTURER [IKO](#)

INTERCHANGE

ABC	PB 20
HIRSCHMANN	SS 20

CALCULATION DATA

Basic dynamic load rating, C	30,800 kN
Basic static load rating, Co	74,000 kN