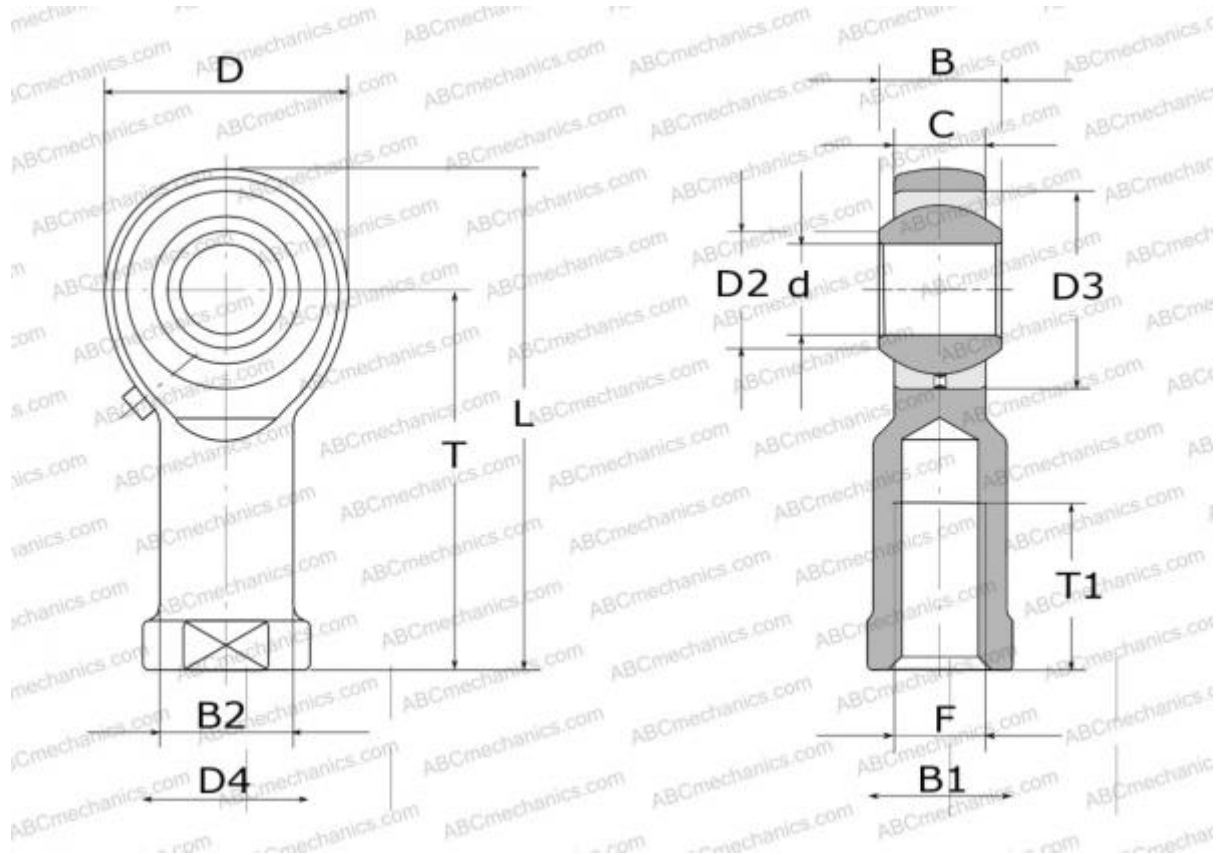


PHS 3 ABC

TYPE: Plain bearings, Spherical plain bearings and rod ends, Rod ends, Requiring maintenance,



Technical specification

DIMENSIONS, MM

d	3,000
D	12,000
D2	5,200
B	6,000
B1	5,500
L	27,000
T	21,000
T1	10,000
C	4,500
F	M3x0.5

WEIGHT, KG 0,006

MANUFACTURER [ABC](#)

INTERCHANGE

IKO	PHS 3
HIRSCHMANN	SF 3
HEIM	SF3
AURORA	MW-M3