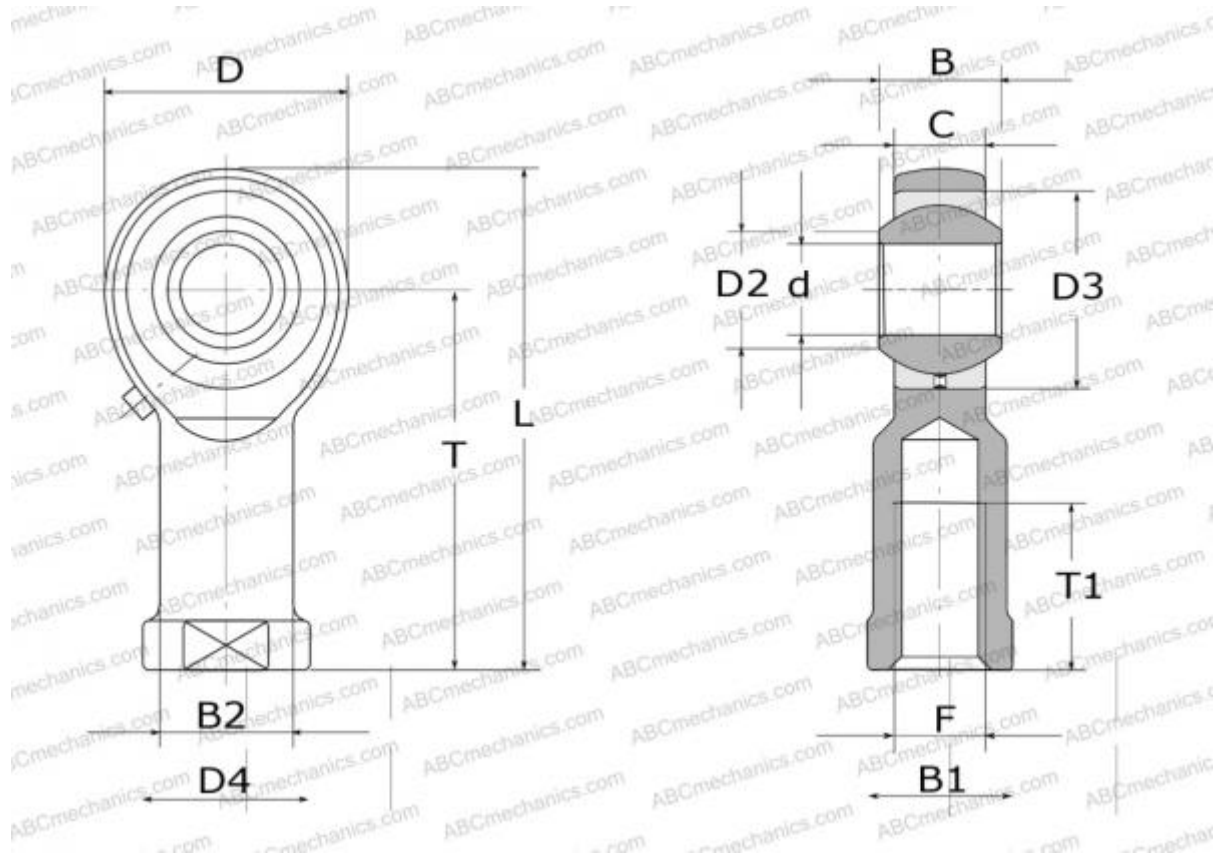


## PHS 4 IKO

TYPE: Plain bearings, Spherical plain bearings and rod ends, Rod ends, Requiring maintenance,



### Technical specification

#### DIMENSIONS, MM

d	4,000
D	14,000
D2	6,500
B	7,000
B1	8,000
L	31,000
T	24,000
T1	12,000
C	5,300
F	M4x0.7

**WEIGHT, KG** 0,012

**MANUFACTURER** [IKO](#)

#### INTERCHANGE

ABC	<a href="#">PHS 4</a>
HEIM	<a href="#">SF4</a>
AURORA	<a href="#">MW-M4</a>

#### CALCULATION DATA

Basic dynamic load rating, C	2,480 kN
Basic static load rating, Co	4,680 kN