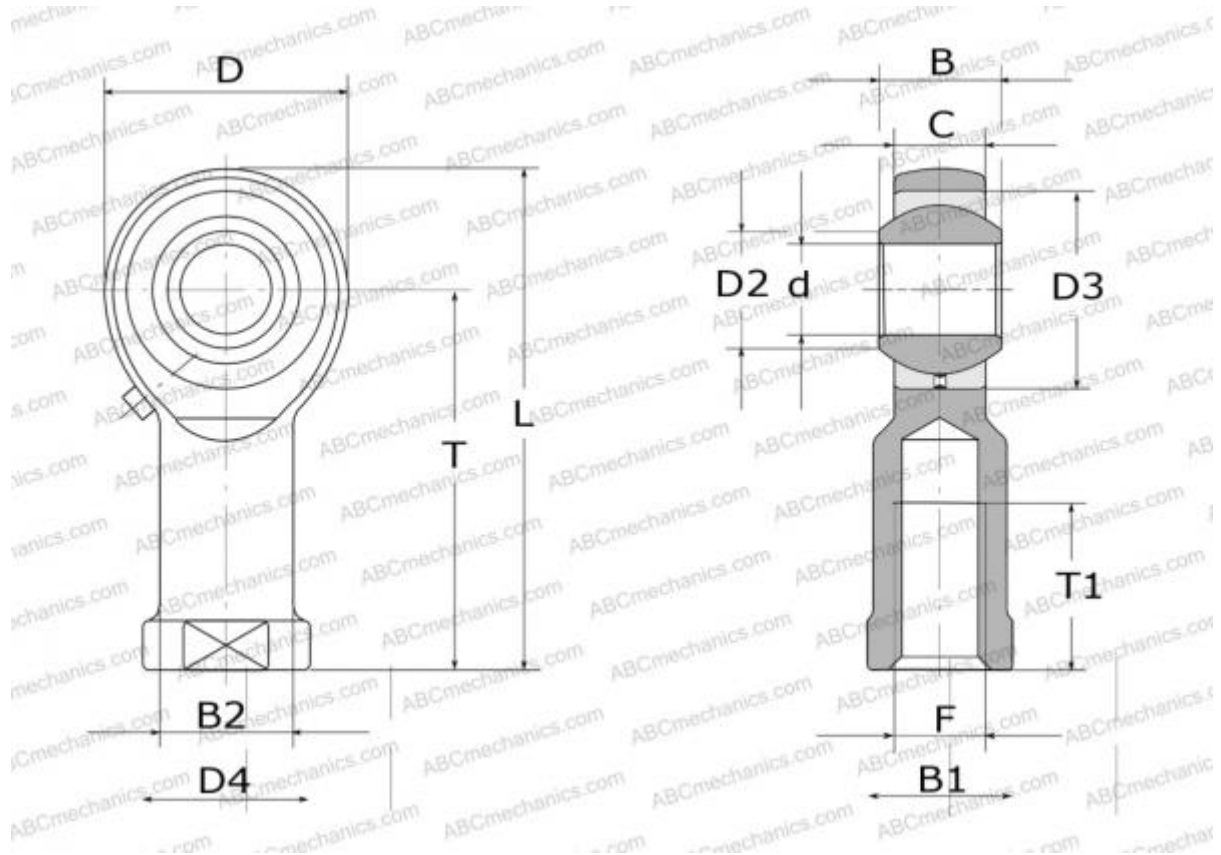


SF4 HEIM

TYPE: Plain bearings, Spherical plain bearings and rod ends, Rod ends, Requiring maintenance,



Technical specification

DIMENSIONS, MM

d	4,000
D	14,000
D2	6,500
B	7,000
B1	8,000
L	31,000
T	24,000
T1	12,000
C	5,300
F	M4x0.7

WEIGHT, KG 0,012

MANUFACTURER [HEIM](#)

INTERCHANGE

ABC	PHS 4
IKO	PHS 4
AURORA	MW-M4