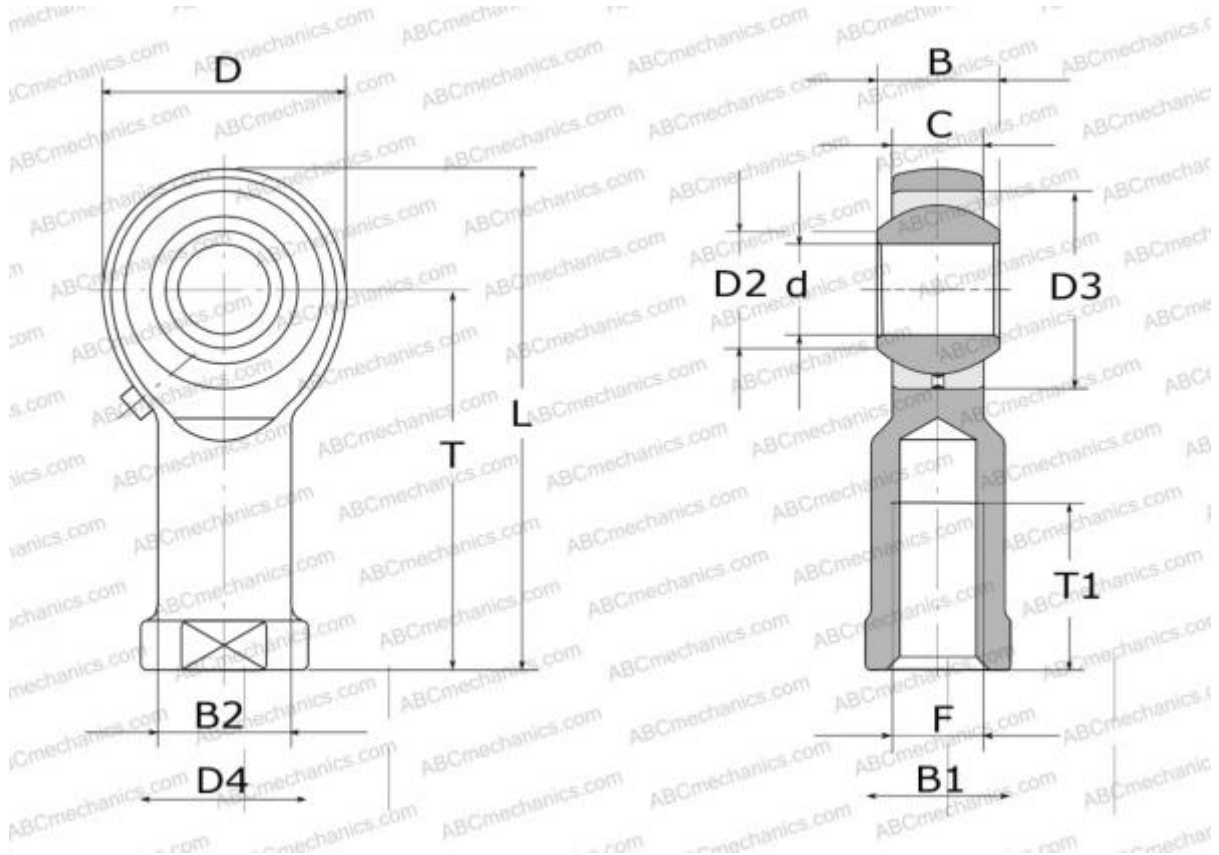


PHS 5 IKO

TYPE: Plain bearings, Spherical plain bearings and rod ends, Rod ends, Requiring maintenance,



Technical specification

DIMENSIONS, MM

d	5,000
D	16,000
D2	7,700
B	8,000
B1	9,000
L	35,000
T	27,000
T1	14,000
C	6,000
F	M5x0.8

MANUFACTURER [IKO](#)

INTERCHANGE

ABC	PHS 5
INA	GIKR 5 PB

INTERCHANGE

SKF	SIKAC 5 M
HIRSCHMANN	SF 5
HEIM	SF5
AURORA	MW-M5

CALCULATION DATA

Basic dynamic load rating, C	3,270 kN
Basic static load rating, Co	5,730 kN