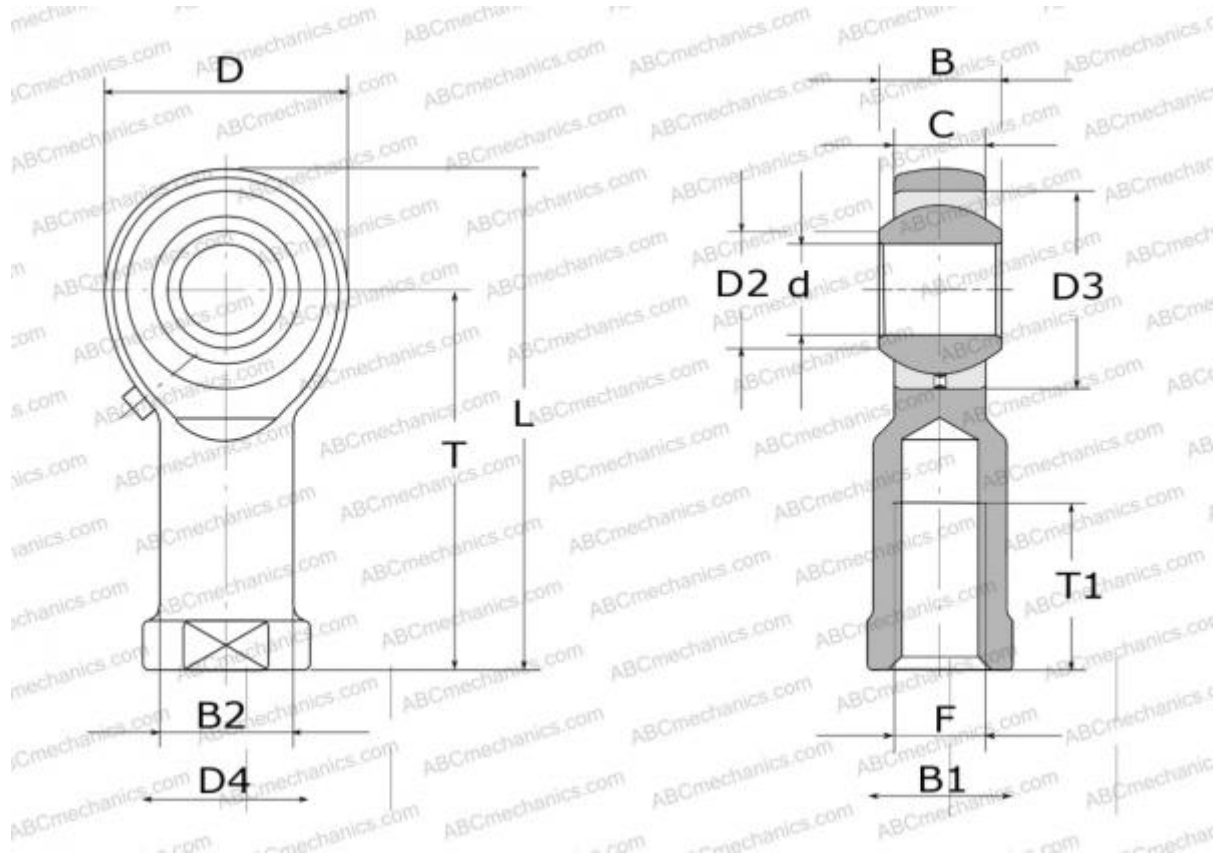


SIKAC 5 M SKF

TYPE: Plain bearings, Spherical plain bearings and rod ends, Rod ends, Requiring maintenance,



Technical specification

DIMENSIONS, MM

d	5,000
D	19,000
D4	12,000
B	8,000
B1	9,000
B2	9,000
L	38,000
T	27,000
T1	8,000
C	7,500
F	M5

MANUFACTURER [SKF](#)

INTERCHANGE

ABC [PHS 5](#)

INTERCHANGE

IKO	PHS 5
INA	GIKR 5 PB
HIRSCHMANN	SF 5
HEIM	SF5
AURORA	MW-M5

CALCULATION DATA

Basic dynamic load rating, C	3,250 kN
Basic static load rating, Co	5,400 kN