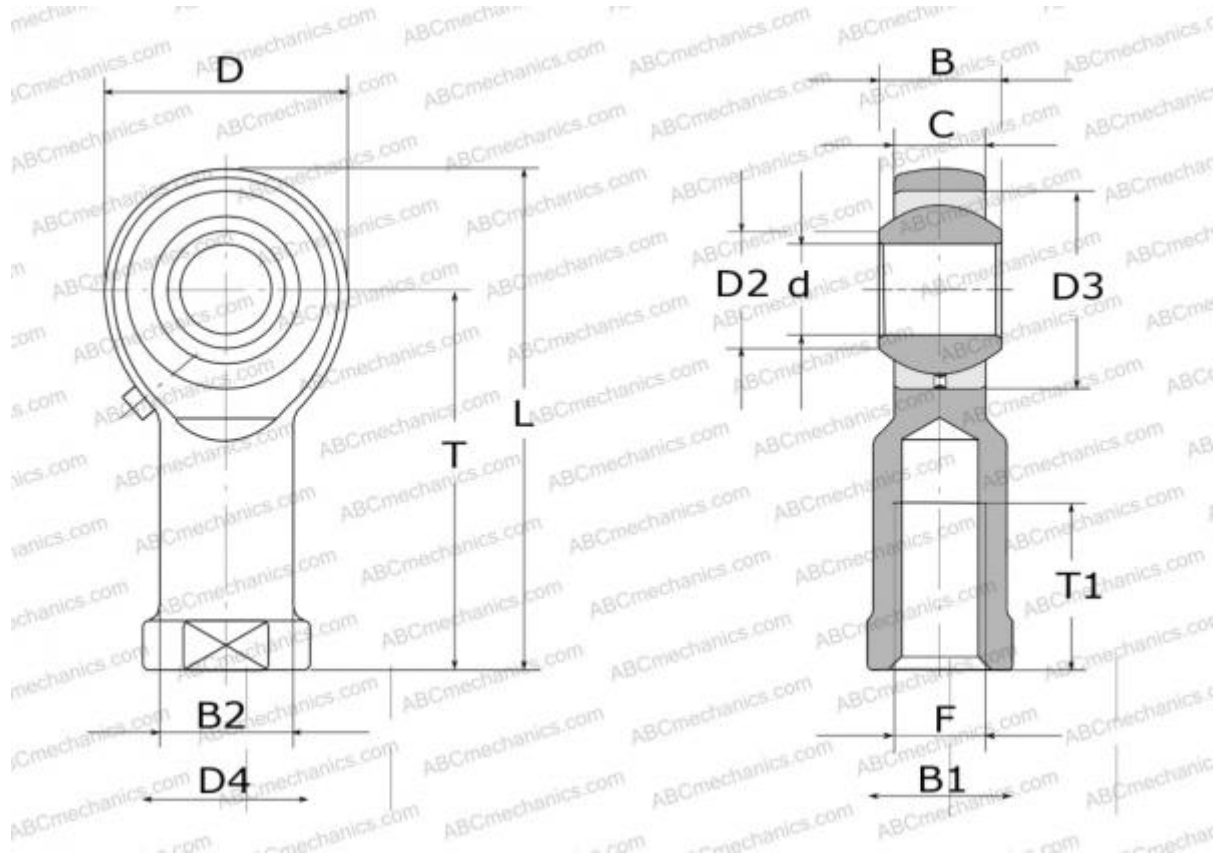


SF 5 HIRSCHMANN

TYPE: Plain bearings, Spherical plain bearings and rod ends, Rod ends, Requiring maintenance,



Technical specification

DIMENSIONS, MM

d	5,000
D	16,000
D2	7,700
B	8,000
B1	9,000
L	35,000
T	27,000
T1	14,000
C	6,000
F	M5x0.8

MANUFACTURER

[HIRSCHMANN](#)

INTERCHANGE

INA	GIKR 5 PB
SKF	SIKAC 5 M
HEIM	SF5
AURORA	MW-M5

INTERCHANGE

ABC	PHS 5
IKO	PHS 5