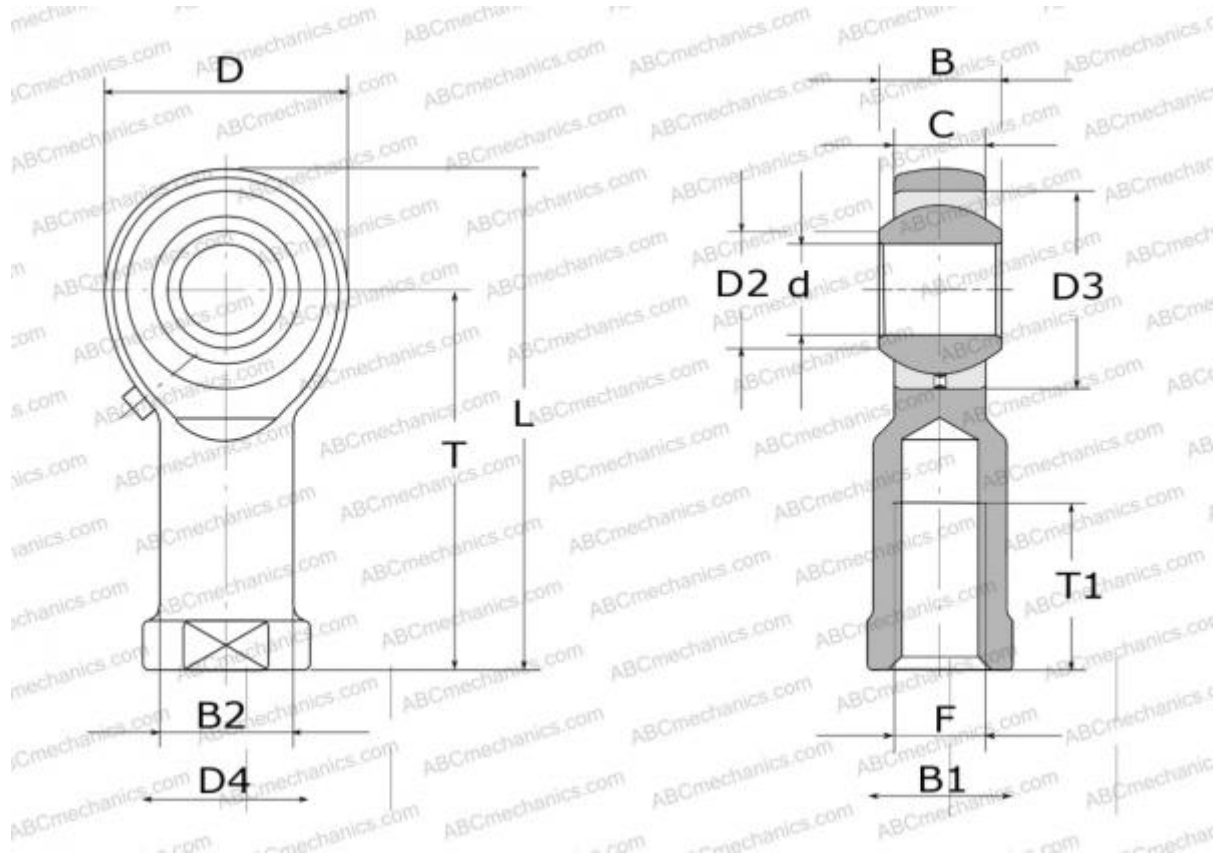


## SF5 HEIM

TYPE: Plain bearings, Spherical plain bearings and rod ends, Rod ends, Requiring maintenance,



### Technical specification

#### DIMENSIONS, MM

d	5,000
D	16,000
D2	7,700
B	8,000
B1	9,000
L	35,000
T	27,000
T1	14,000
C	6,000
F	M5x0.8

**MANUFACTURER** [HEIM](#)

#### INTERCHANGE

ABC	<a href="#">PHS 5</a>
IKO	<a href="#">PHS 5</a>

#### INTERCHANGE

INA	<a href="#">GIKR 5 PB</a>
SKF	<a href="#">SIKAC 5 M</a>
HIRSCHMANN	<a href="#">SF 5</a>
AURORA	<a href="#">MW-M5</a>