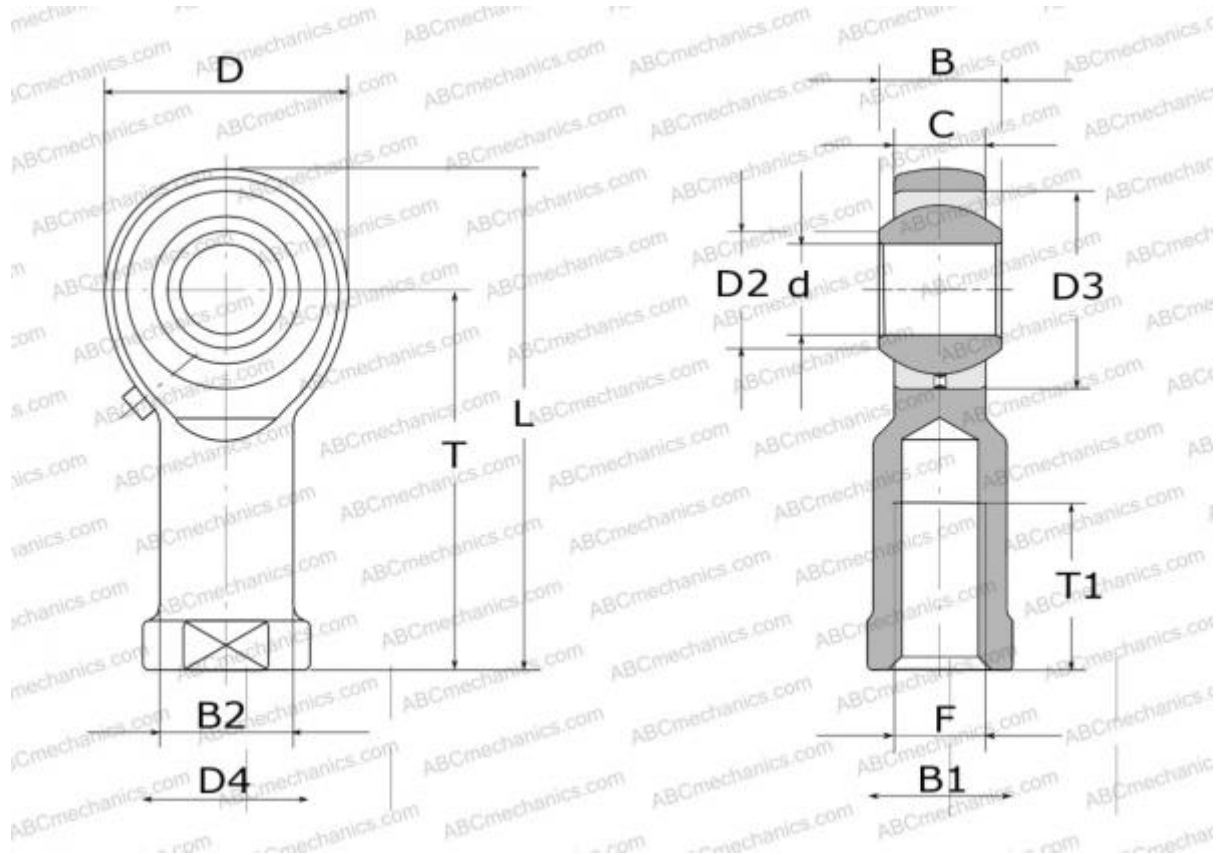


## PHS 8 ABC

TYPE: Plain bearings, Spherical plain bearings and rod ends, Rod ends, Requiring maintenance,



### Technical specification

#### DIMENSIONS, MM

d	8,000
D	22,000
D2	10,400
B	12,000
B1	14,000
L	47,000
T	36,000
T1	17,000
C	9,000
F	M8x1.25

**WEIGHT, KG** 0,043

**MANUFACTURER** [ABC](#)

#### INTERCHANGE

IKO	<a href="#">PHS 8</a>
INA	<a href="#">GIKR 8 PB</a>
SKF	<a href="#">SIKAC 8 M</a>
HIRSCHMANN	<a href="#">SF 8</a>
HEIM	<a href="#">SFG8</a>
AURORA	<a href="#">MW-M8Z</a>