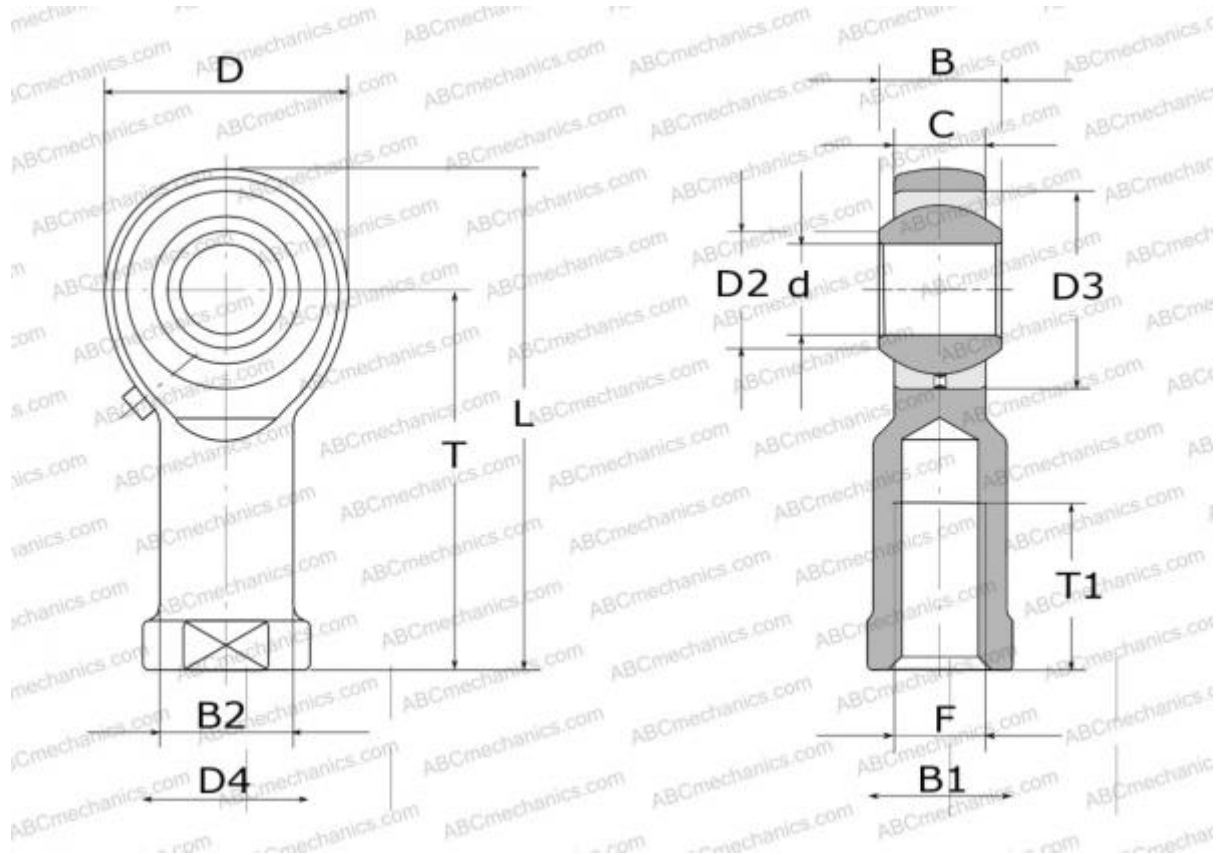


MW-M10Z AURORA

TYPE: Plain bearings, Spherical plain bearings and rod ends, Rod ends, Requiring maintenance,



Technical specification

DIMENSIONS, MM

| | |
|----|---------|
| d | 10,000 |
| D | 26,000 |
| D2 | 12,900 |
| B | 14,000 |
| B1 | 17,000 |
| L | 56,000 |
| T | 43,000 |
| T1 | 21,000 |
| C | 10,500 |
| F | M10x1.5 |

WEIGHT, KG 0,072

MANUFACTURER [AURORA](#)

INTERCHANGE

| | |
|------------|----------------------------|
| ABC | PHS 10 |
| IKO | PHS 10 |
| INA | GIKR 10 PB |
| SKF | SIKAC 10 M |
| HIRSCHMANN | SF 10 |
| HEIM | SFG10 |