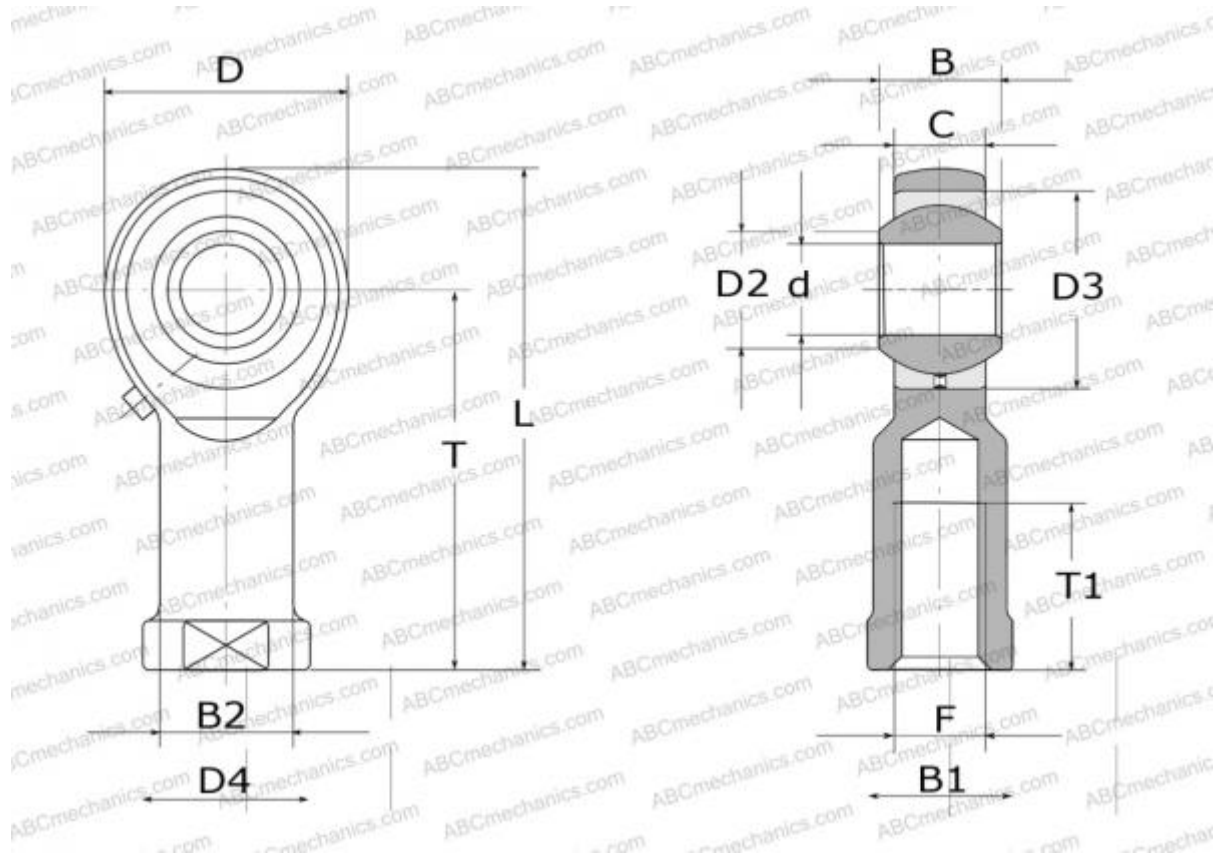


SIKAC 16 M SKF

TYPE: Plain bearings, Spherical plain bearings and rod ends, Rod ends, Requiring maintenance,



Technical specification

DIMENSIONS, MM

d	16,000
D	43,000
D4	29,000
B	21,000
B1	22,000
B2	22,000
L	87,000
T	64,000
T1	24,000
C	15,500
F	M16

WEIGHT, KG 0,220

MANUFACTURER [SKF](#)

INTERCHANGE

ABC	PHS 16
IKO	PHS 16
INA	GIKR 16 PB
HIRSCHMANN	SF 16
HEIM	SFG16
AURORA	MW-M16Z

CALCULATION DATA

Basic dynamic load rating, C	21,600 kN
Basic static load rating, Co	29,000 kN