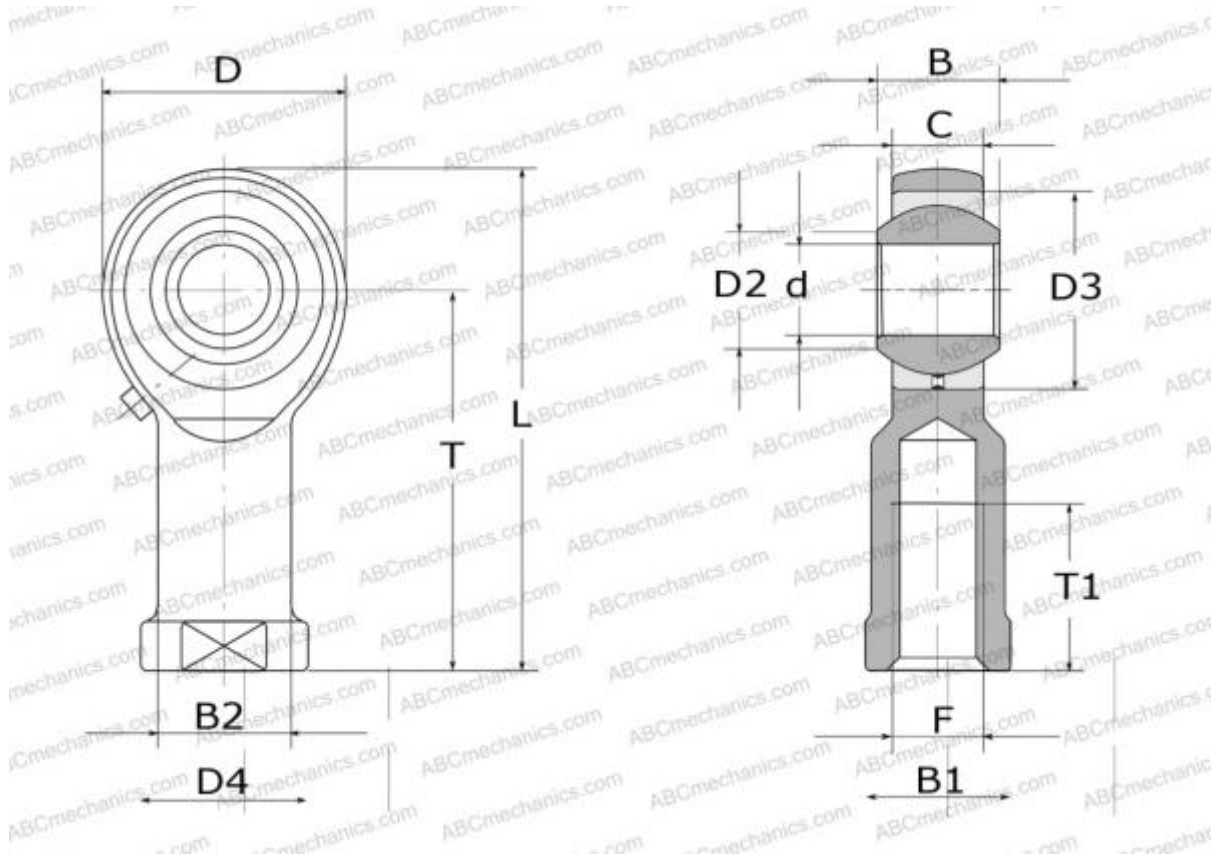


PHS 3 L IKO

Rod ends

TYPE: Plain bearings, Spherical plain bearings and rod ends, Rod ends, Requiring maintenance, With internal thread, open design, left hand thread, series GIKL..PB, SILKAC, PHS..L



Technical specification

DIMENSIONS, MM

d	3,000
D	12,000
D2	5,200
B	6,000
B1	5,500
L	27,000
T	21,000
T1	10,000
C	4,500
F	M3x0.5

MANUFACTURER [IKO](#)

INTERCHANGE

ABC [PHS 3 L](#)
HEIM [SFL3](#)

INTERCHANGE

AURORA [MG-M3](#)

CALCULATION DATA

Basic dynamic load rating, C 1,750 kN
Basic static load rating, Co 3,670 kN