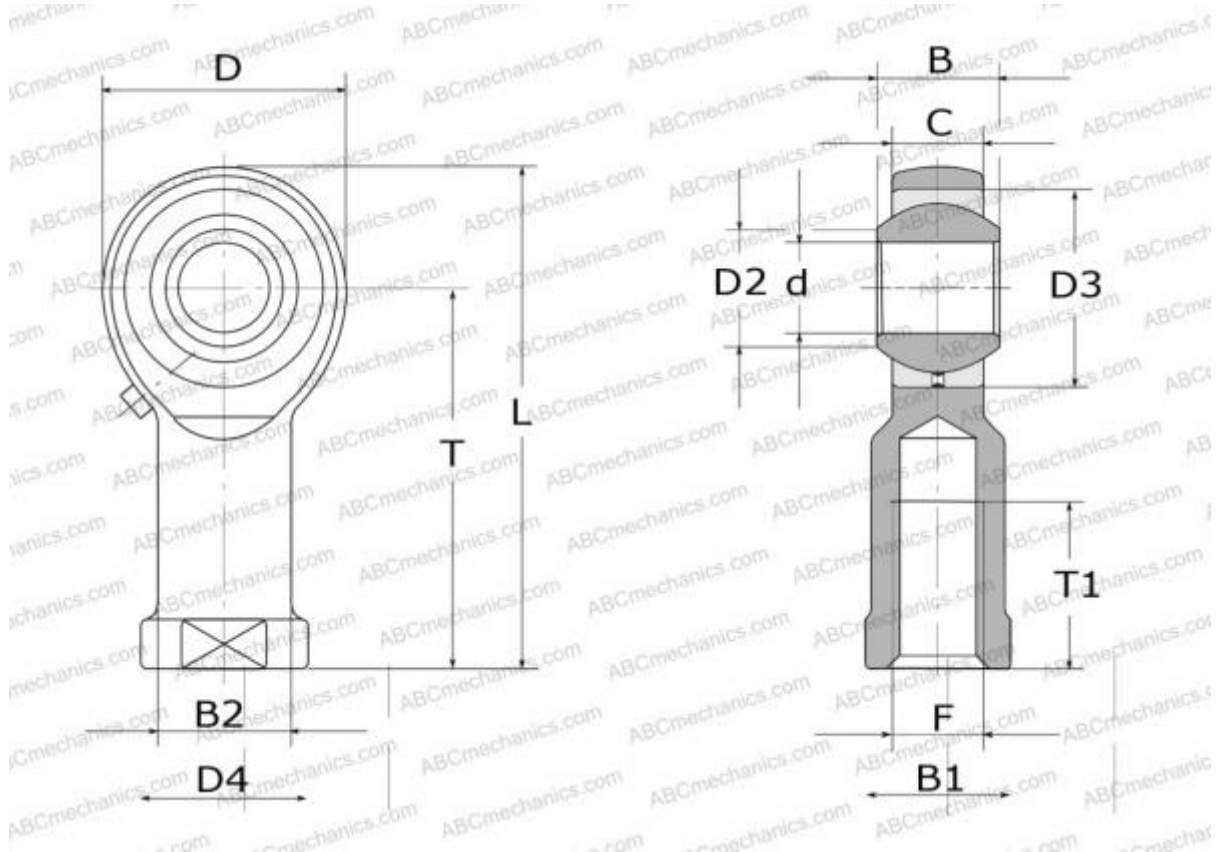


MG-M3 AURORA

Rod ends

TYPE: Plain bearings, Spherical plain bearings and rod ends, Rod ends, Requiring maintenance, With internal thread, open design, left hand thread, series GIKL..PB, SILKAC, PHS..L



Technical specification

DIMENSIONS, MM

d	3,000
D	12,000
D2	5,200
B	6,000
B1	5,500
L	27,000
T	21,000
T1	10,000
C	4,500
F	M3x0.5

MANUFACTURER

[AURORA](#)

INTERCHANGE

ABC	PHS 3 L
IKO	PHS 3 L

INTERCHANGE

HEIM

[SFL3](#)