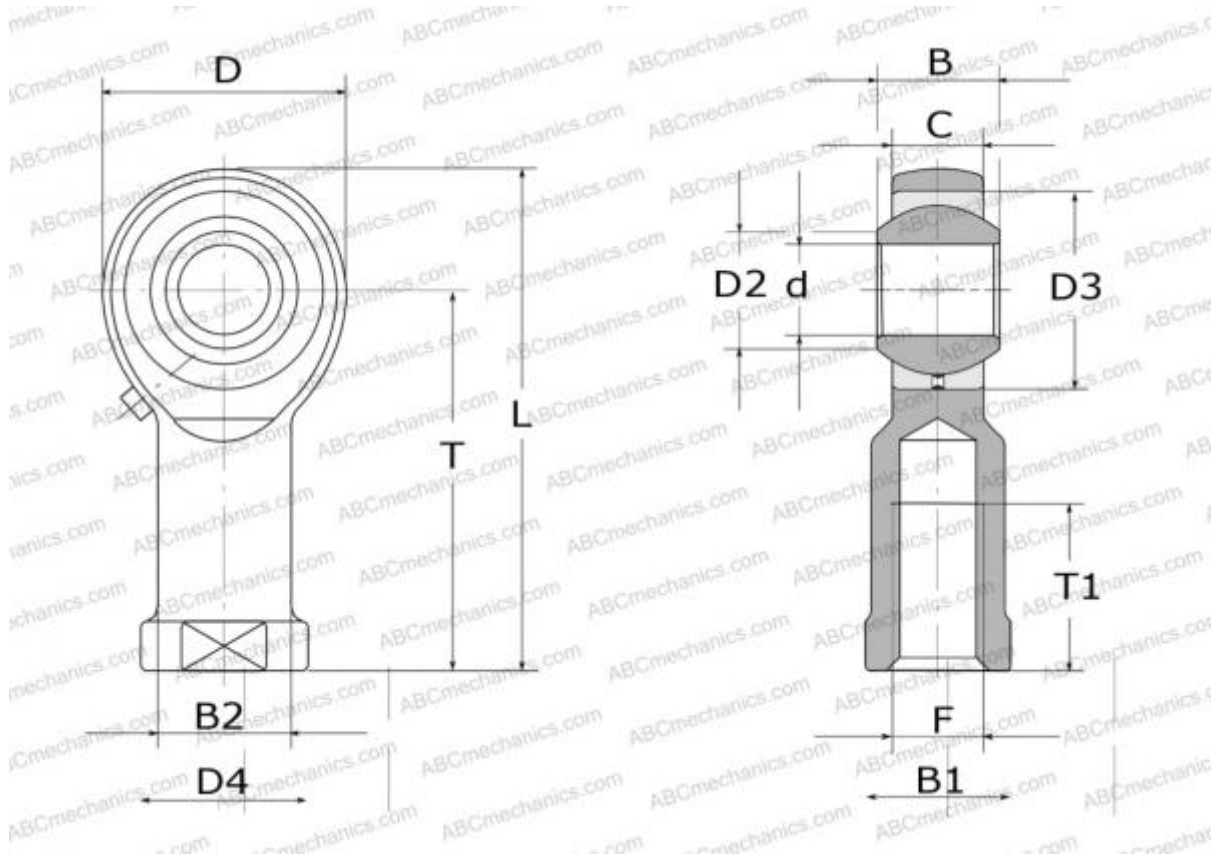


MG-M4 AURORA

Rod ends

TYPE: Plain bearings, Spherical plain bearings and rod ends, Rod ends, Requiring maintenance, With internal thread, open design, left hand thread, series GIKL..PB, SILKAC, PHS..L



Technical specification

DIMENSIONS, MM

d	4,000
D	14,000
D2	6,500
B	7,000
B1	8,000
L	31,000
T	24,000
T1	12,000
C	5,300
F	M4x0.7

MANUFACTURER

[AURORA](#)

INTERCHANGE

HEIM

[SFL4](#)

INTERCHANGE

ABC	PHS 4 L
IKO	PHS 4 L