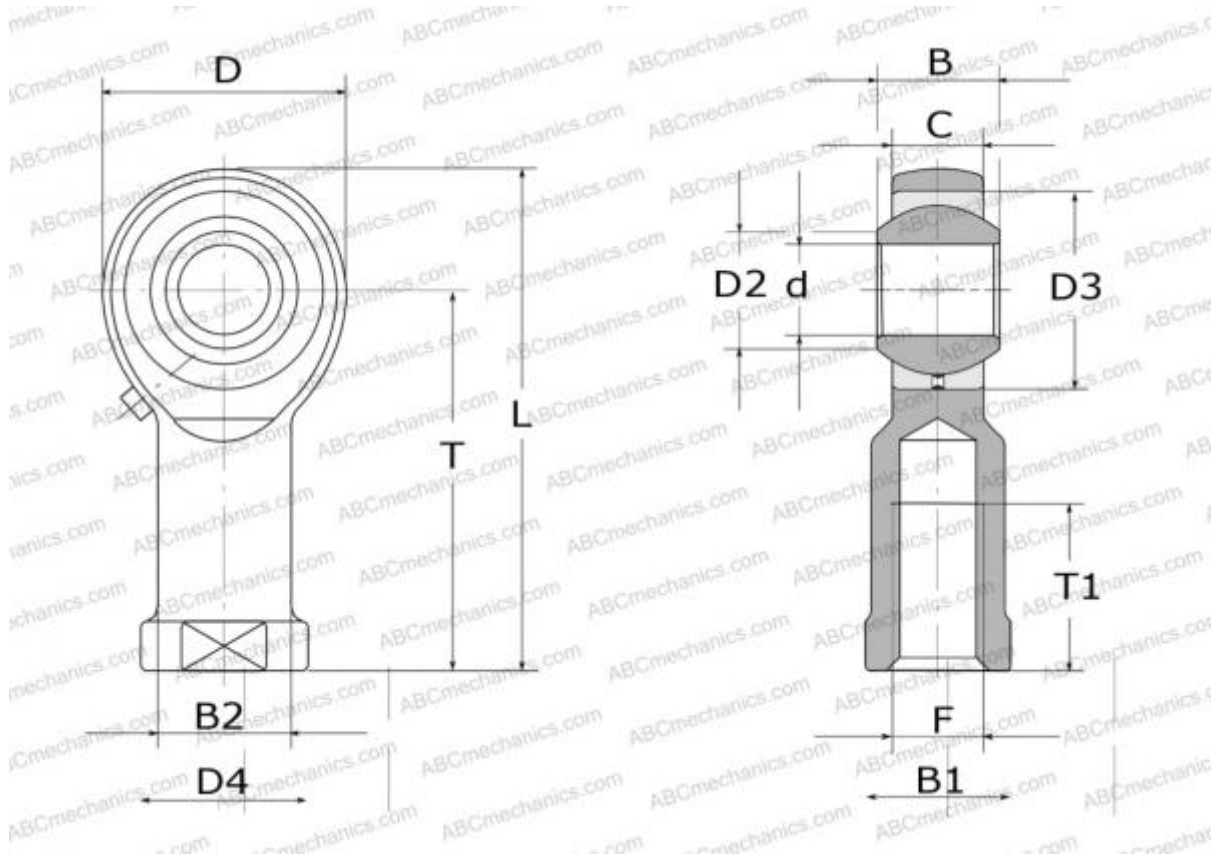


## PHS 5 L ABC

Rod ends

TYPE: Plain bearings, Spherical plain bearings and rod ends, Rod ends, Requiring maintenance, With internal thread, open design, left hand thread, series GIKL..PB, SILKAC, PHS..L



### Technical specification

#### DIMENSIONS, MM

d	5,000
D	16,000
D2	7,700
B	8,000
B1	9,000
L	35,000
T	27,000
T1	14,000
C	6,000
F	M5x0.8

**MANUFACTURER** [ABC](#)

#### INTERCHANGE

IKO	<a href="#">PHS 5 L</a>
INA	<a href="#">GIKL 5 PB</a>

#### INTERCHANGE

SKF	<a href="#">SILKAC 5 M</a>
HEIM	<a href="#">SFL5</a>
AURORA	<a href="#">MG-M5</a>