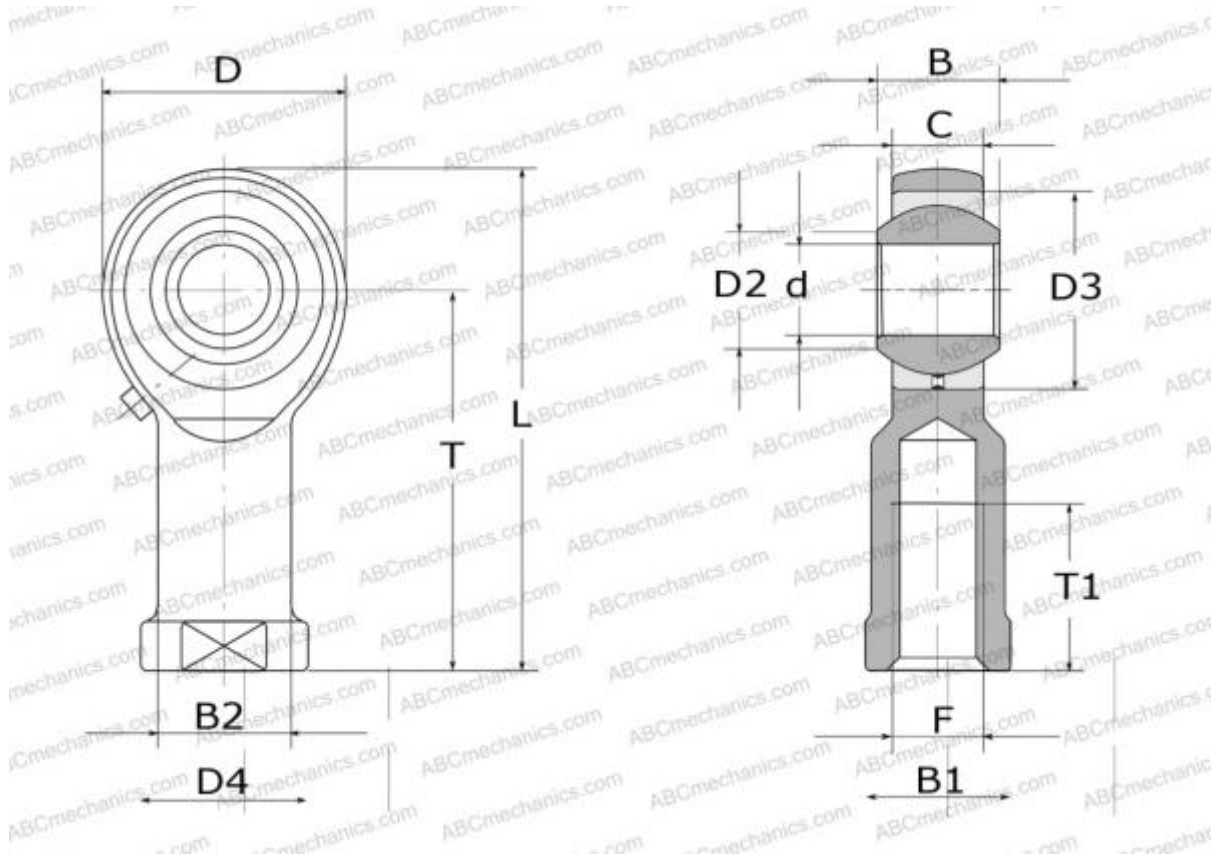


PHS 5 L IKO

Rod ends

TYPE: Plain bearings, Spherical plain bearings and rod ends, Rod ends, Requiring maintenance, With internal thread, open design, left hand thread, series GIKL..PB, SILKAC, PHS..L



Technical specification

DIMENSIONS, MM

d	5,000
D	16,000
D2	7,700
B	8,000
B1	9,000
L	35,000
T	27,000
T1	14,000
C	6,000
F	M5x0.8

MANUFACTURER [IKO](#)

INTERCHANGE

ABC	PHS 5 L
INA	GIKL 5 PB

INTERCHANGE

SKF	SILKAC 5 M
HEIM	SFL5
AURORA	MG-M5

CALCULATION DATA

Basic dynamic load rating, C	3,270 kN
Basic static load rating, Co	5,730 kN