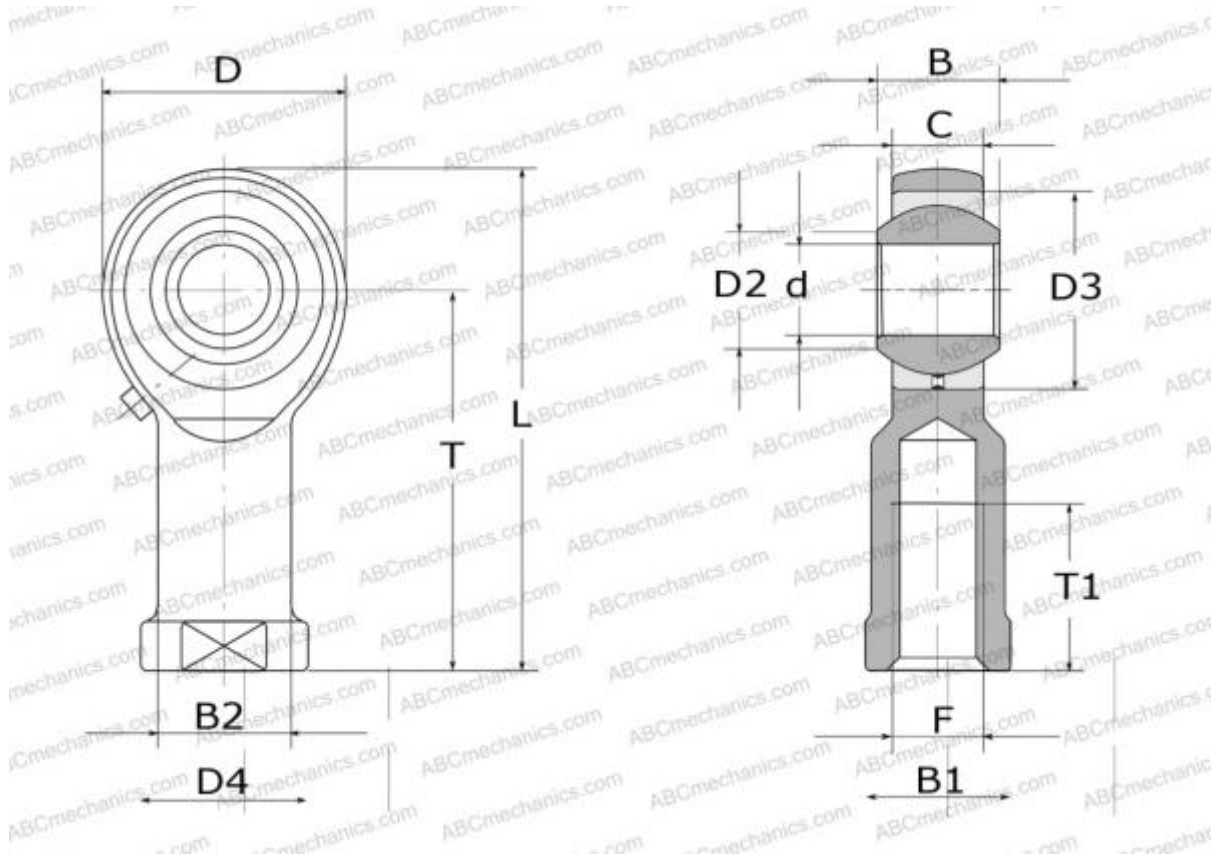


SILKAC 5 M SKF

Rod ends

TYPE: Plain bearings, Spherical plain bearings and rod ends, Rod ends, Requiring maintenance, With internal thread, open design, left hand thread, series GIKL..PB, SILKAC, PHS..L



Technical specification

DIMENSIONS, MM

d	5,000
D	19,000
D4	12,000
B	8,000
B1	9,000
B2	9,000
L	38,000
T	27,000
T1	8,000
C	7,500
F	M5

MANUFACTURER [SKF](#)

INTERCHANGE

ABC [PHS 5 L](#)

INTERCHANGE

IKO	PHS 5 L
INA	GIKL 5 PB
HEIM	SFL5
AURORA	MG-M5

CALCULATION DATA

Basic dynamic load rating, C	3,250 kN
Basic static load rating, Co	5,400 kN