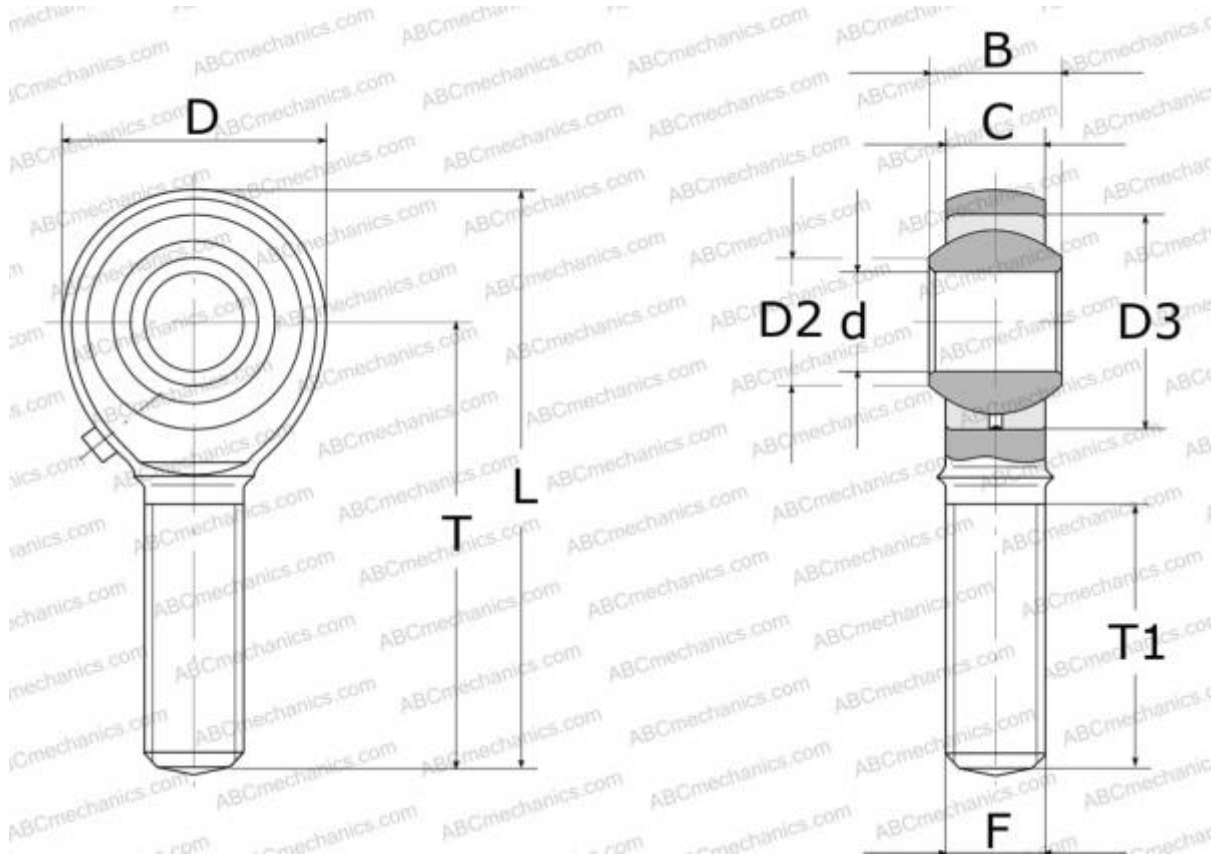


POS 3 IKO

Rod ends

TYPE: Plain bearings, Spherical plain bearings and rod ends, Rod ends, Requiring maintenance, With internal thread, open design, right hand thread, series GAKR..PB, SAKAC, POS



Technical specification

DIMENSIONS, MM

d	3,000
D	12,000
D2	5,200
B	6,000
L	33,000
T	27,000
T1	15,000
C	4,500
F	M3x0.5

WEIGHT, KG 0,005

MANUFACTURER [IKO](#)

INTERCHANGE

ABC [POS 3](#)

INTERCHANGE

HIRSCHMANN [SM 3](#)

CALCULATION DATA

Basic dynamic load rating, C	1,750 kN
Basic static load rating, Co	1,220 kN