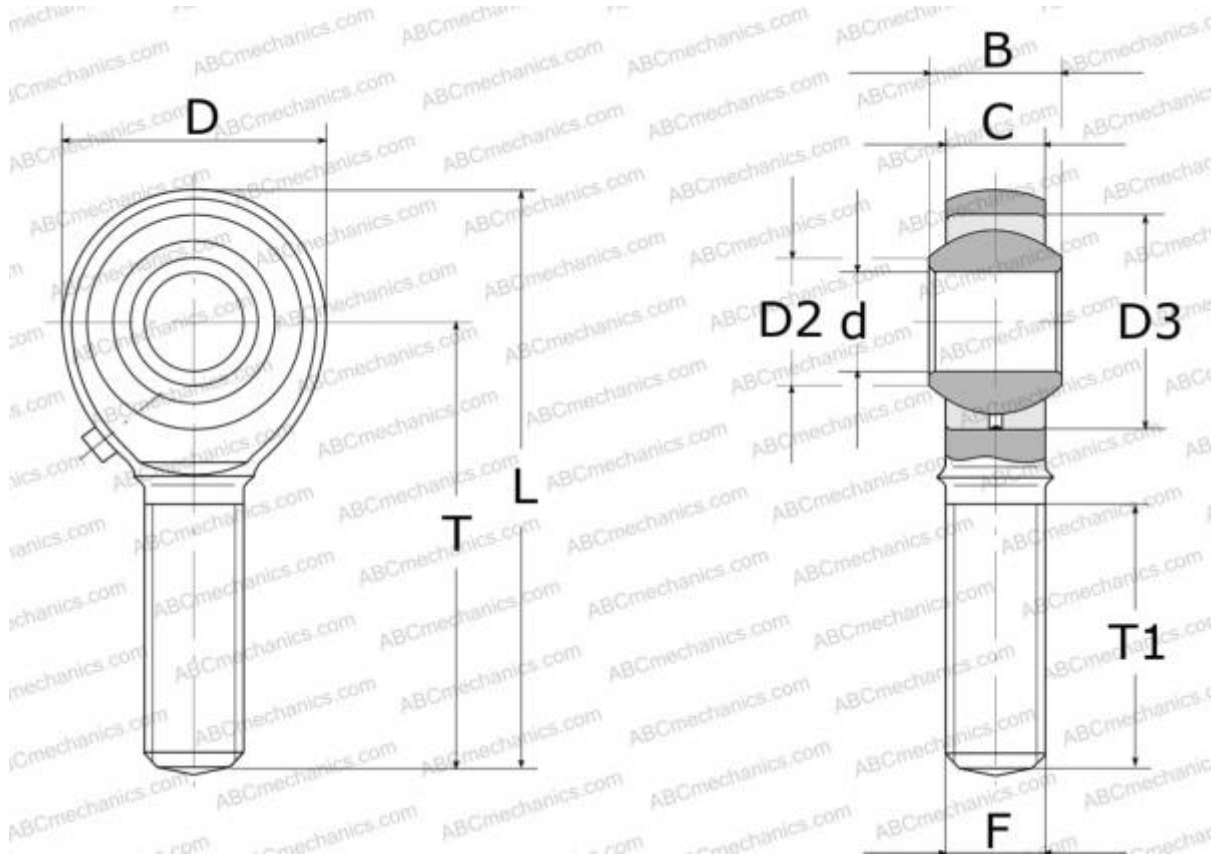


## POS 4 IKO

Rod ends

TYPE: Plain bearings, Spherical plain bearings and rod ends, Rod ends, Requiring maintenance, With internal thread, open design, right hand thread, series GAKR..PB, SAKAC, POS



### Technical specification

#### DIMENSIONS, MM

|    |        |
|----|--------|
| d  | 4,000  |
| D  | 14,000 |
| D2 | 6,500  |
| B  | 7,000  |
| L  | 37,000 |
| T  | 30,000 |
| T1 | 17,000 |
| C  | 5,300  |
| F  | M4x0.7 |

**WEIGHT, KG** 0,008

**MANUFACTURER** [IKO](#)

#### INTERCHANGE

ABC [POS 4](#)

#### CALCULATION DATA

|                              |          |
|------------------------------|----------|
| Basic dynamic load rating, C | 2,480 kN |
| Basic static load rating, Co | 2,060 kN |