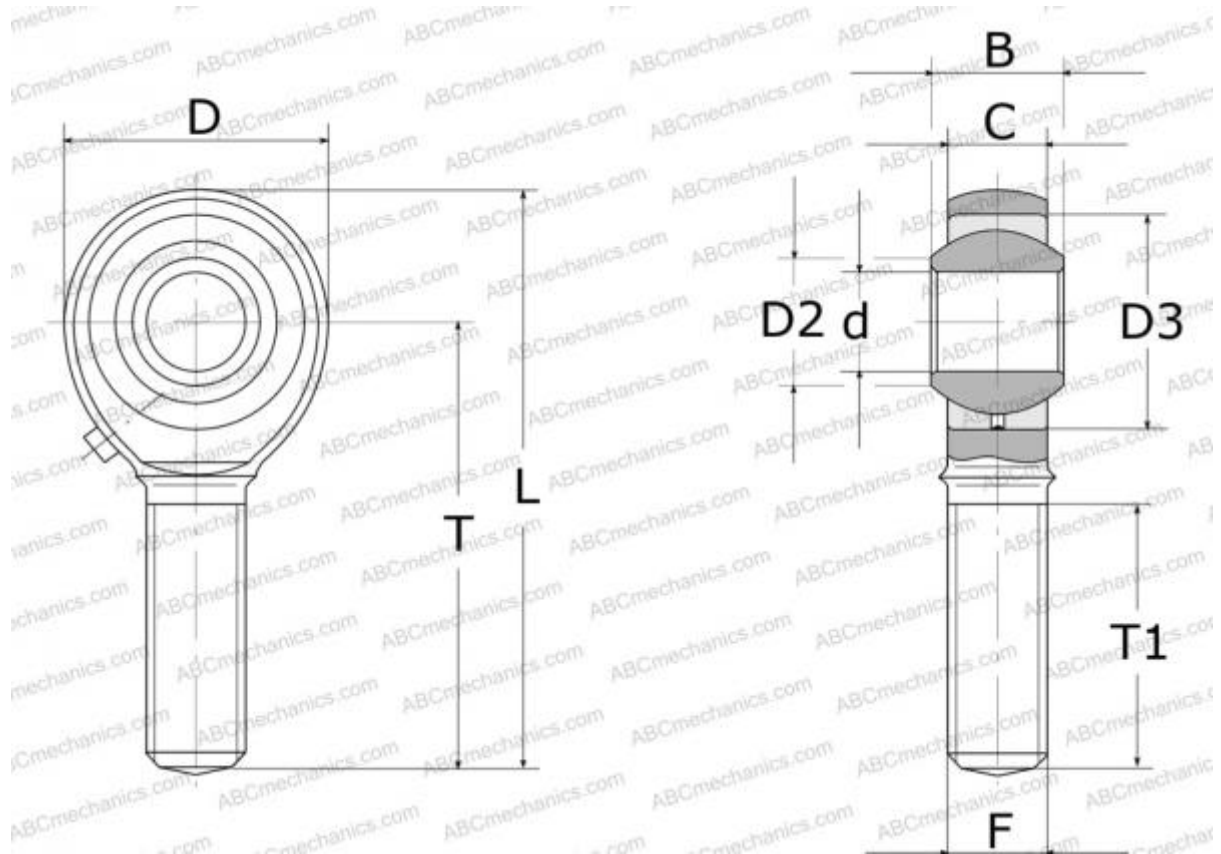


POS 5 ABC

Rod ends

TYPE: Plain bearings, Spherical plain bearings and rod ends, Rod ends, Requiring maintenance, With internal thread, open design, right hand thread, series GAKR..PB, SAKAC, POS



Technical specification

DIMENSIONS, MM

d	5,000
D	16,000
D2	7,700
B	8,000
L	41,000
T	33,000
T1	20,000
C	6,000
F	M5x0.8

INTERCHANGE

HEIM	SM 5
AURORA	MM-M5

MANUFACTURER [ABC](#)

INTERCHANGE

IKO	POS 5
SKF	SAKAC 5 M
HIRSCHMANN	SM 5