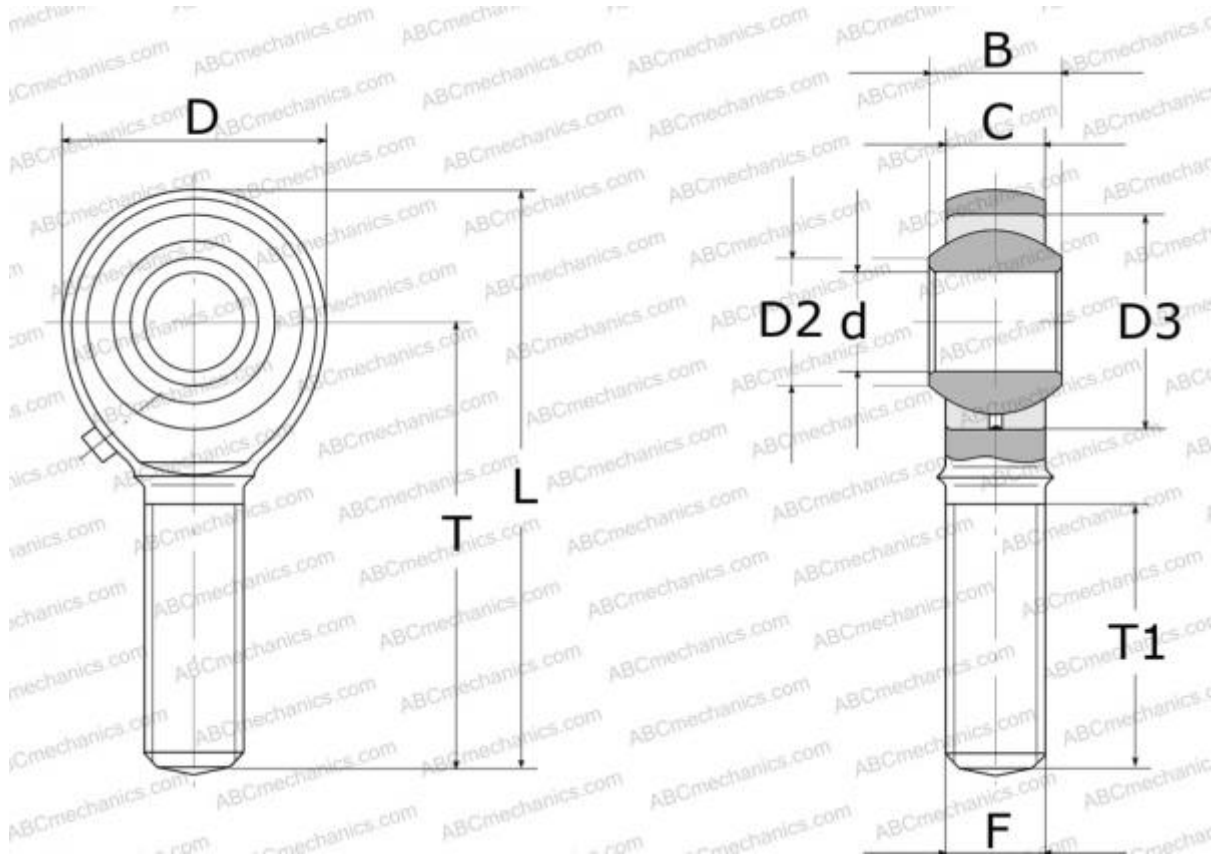


SAKAC 5 M SKF

Rod ends

TYPE: Plain bearings, Spherical plain bearings and rod ends, Rod ends, Requiring maintenance, With internal thread, open design, right hand thread, series GAKR..PB, SAKAC, POS



Technical specification

DIMENSIONS, MM

d	5,000
D	19,000
B	8,000
L	44,000
T	33,000
T1	19,000
C	6,000
F	M5

WEIGHT, KG 0,013

MANUFACTURER [SKF](#)

INTERCHANGE

ABC	POS 5
IKO	POS 5

INTERCHANGE

HIRSCHMANN	SM 5
HEIM	SM 5
AURORA	MM-M5

CALCULATION DATA

Basic dynamic load rating, C	3,250 kN
Basic static load rating, Co	4,800 kN