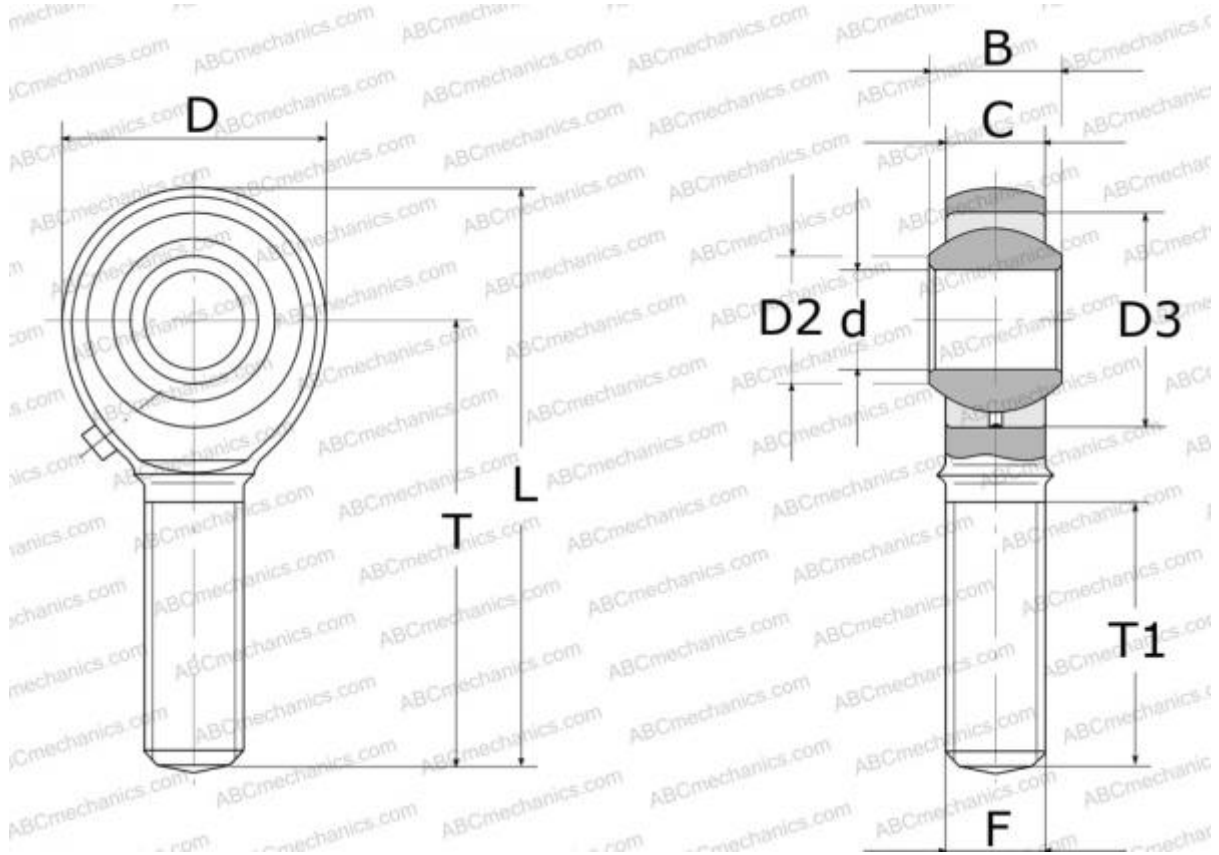


SM 5 HIRSCHMANN

Rod ends

TYPE: Plain bearings, Spherical plain bearings and rod ends, Rod ends, Requiring maintenance, With internal thread, open design, right hand thread, series GAKR..PB, SAKAC, POS



Technical specification

DIMENSIONS, MM

| | |
|----|--------|
| d | 5,000 |
| D | 16,000 |
| D2 | 7,700 |
| B | 8,000 |
| L | 41,000 |
| T | 33,000 |
| T1 | 20,000 |
| C | 6,000 |
| F | M5x0.8 |

WEIGHT, KG 0,013

MANUFACTURER [HIRSCHMANN](#)

INTERCHANGE

| | |
|-----|-----------------------|
| ABC | POS 5 |
|-----|-----------------------|

INTERCHANGE

| | |
|--------|---------------------------|
| IKO | POS 5 |
| SKF | SAKAC 5 M |
| HEIM | SM 5 |
| AURORA | MM-M5 |