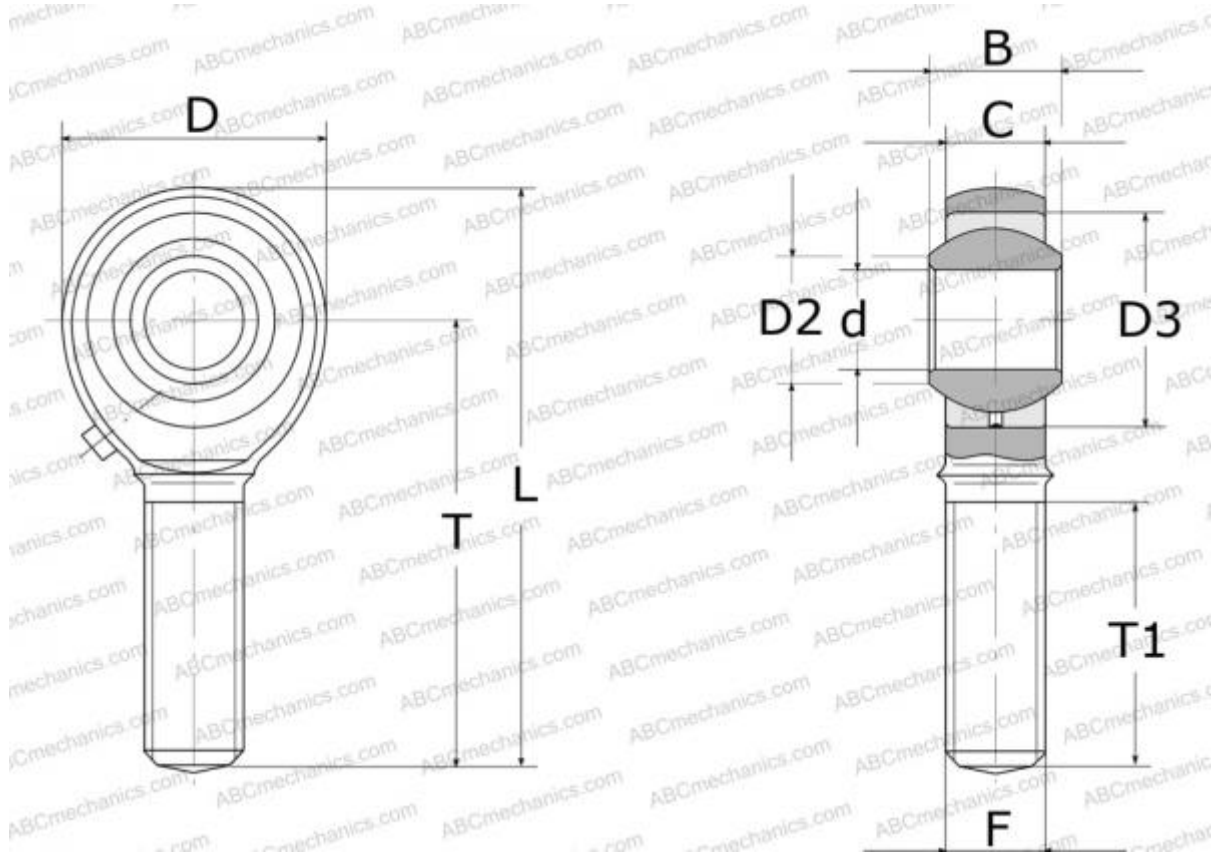


## SM 8 HIRSCHMANN

Rod ends

TYPE: Plain bearings, Spherical plain bearings and rod ends, Rod ends, Requiring maintenance, With internal thread, open design, right hand thread, series GAKR..PB, SAKAC, POS



### Technical specification

#### DIMENSIONS, MM

d	8,000
D	22,000
D2	10,400
B	12,000
L	53,000
T	42,000
T1	25,000
C	9,000
F	M8x1.25

#### INTERCHANGE

IKO	<a href="#">POS 8</a>
INA	<a href="#">GAKR 8 PB</a>
SKF	<a href="#">SAKAC 8 M</a>
HEIM	<a href="#">SMG 8</a>
AURORA	<a href="#">MM-M8Z</a>

**WEIGHT, KG** 0,032

**MANUFACTURER** [HIRSCHMANN](#)

#### INTERCHANGE

ABC	<a href="#">POS 8</a>
-----	-----------------------