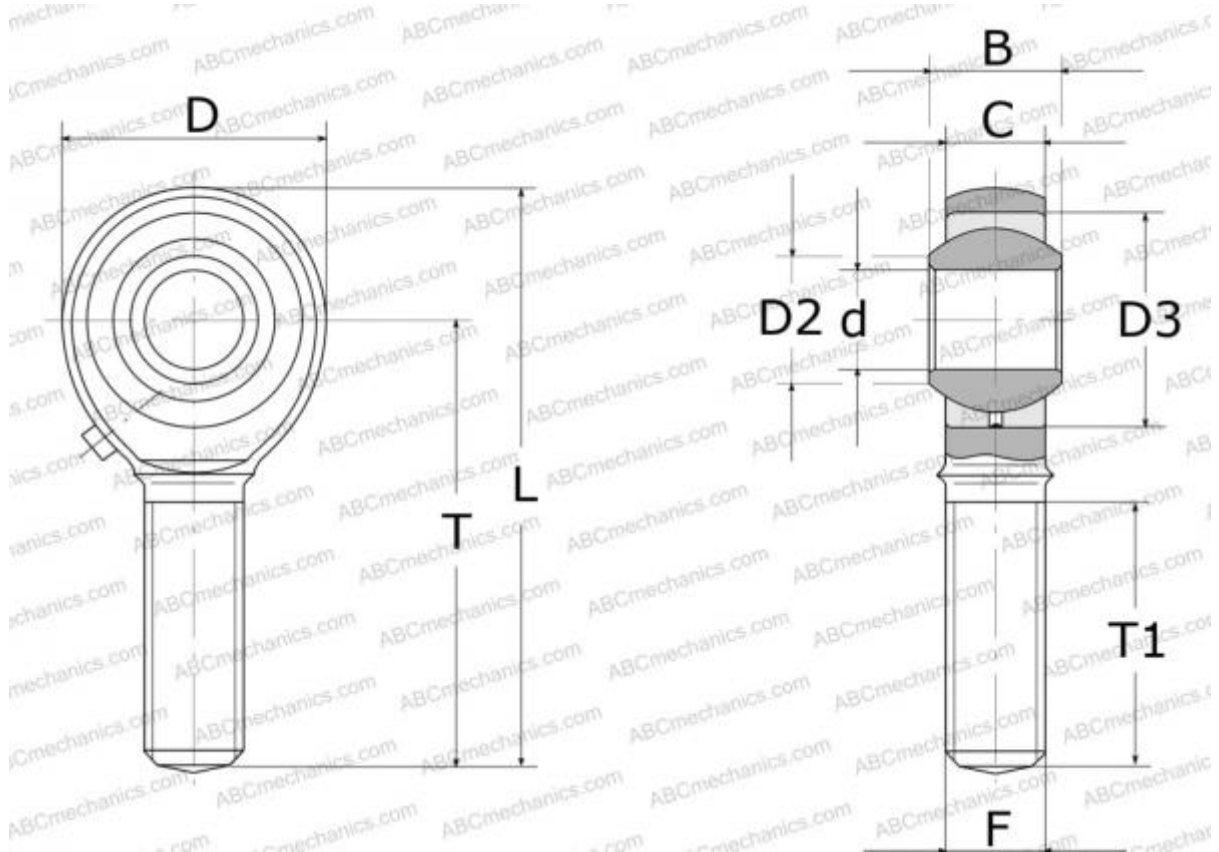


SM 12 HIRSCHMANN

Rod ends

TYPE: Plain bearings, Spherical plain bearings and rod ends, Rod ends, Requiring maintenance, With internal thread, open design, right hand thread, series GAKR..PB, SAKAC, POS



Technical specification

DIMENSIONS, MM

d	12,000
D	30,000
D2	15,400
B	16,000
L	69,000
T	54,000
T1	33,000
C	12,000
F	M12x1.75

INTERCHANGE

IKO	POS 12
INA	GAKR 12 PB
SKF	SAKAC 12 M
HEIM	SMG 12
AURORA	MM-M12Z

WEIGHT, KG 0,085

MANUFACTURER [HIRSCHMANN](#)

INTERCHANGE

ABC	POS 12
-----	------------------------