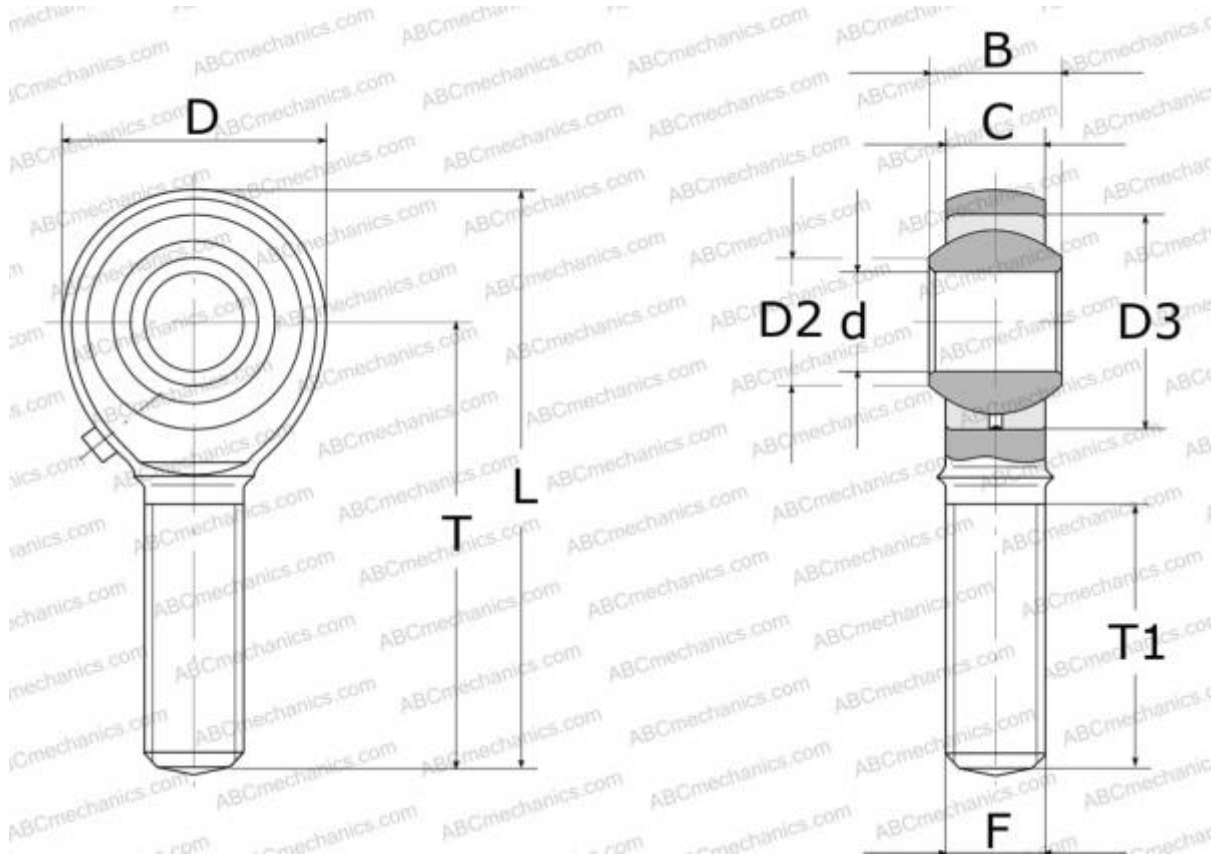


## POS 22 ABC

Rod ends

TYPE: Plain bearings, Spherical plain bearings and rod ends, Rod ends, Requiring maintenance, With internal thread, open design, right hand thread, series GAKR..PB, SAKAC, POS



### Technical specification

#### DIMENSIONS, MM

d	22,000
D	50,000
D2	25,800
B	28,000
L	109,000
T	84,000
T1	51,000
C	20,000
F	M22x1.5

**WEIGHT, KG** 0,435

**MANUFACTURER** [ABC](#)

#### INTERCHANGE

IKO [POS 22](#)

#### INTERCHANGE

SKF	<a href="#">SAKAC 22 M</a>
HIRSCHMANN	<a href="#">SM 22</a>
HEIM	<a href="#">SMG 22</a>
AURORA	<a href="#">MM-M22Z</a>