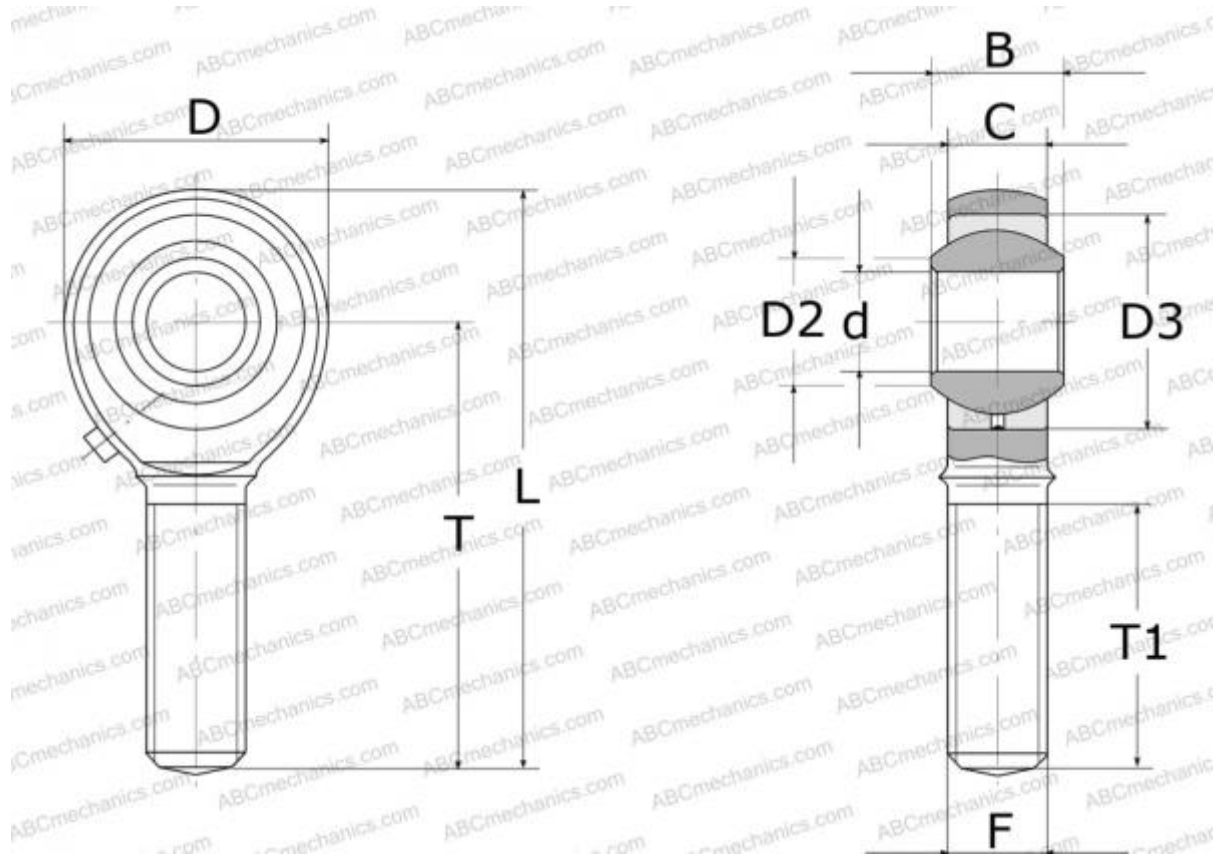


POS 28 ABC

Rod ends

TYPE: Plain bearings, Spherical plain bearings and rod ends, Rod ends, Requiring maintenance, With internal thread, open design, right hand thread, series GAKR..PB, SAKAC, POS



Technical specification

DIMENSIONS, MM

| | |
|----|---------|
| d | 28,000 |
| D | 66,000 |
| D2 | 32,300 |
| B | 35,000 |
| L | 136,000 |
| T | 103,000 |
| T1 | 62,000 |
| C | 25,000 |
| F | M27x2 |

WEIGHT, KG 0,875

MANUFACTURER [ABC](#)

INTERCHANGE

IKO [POS 28](#)