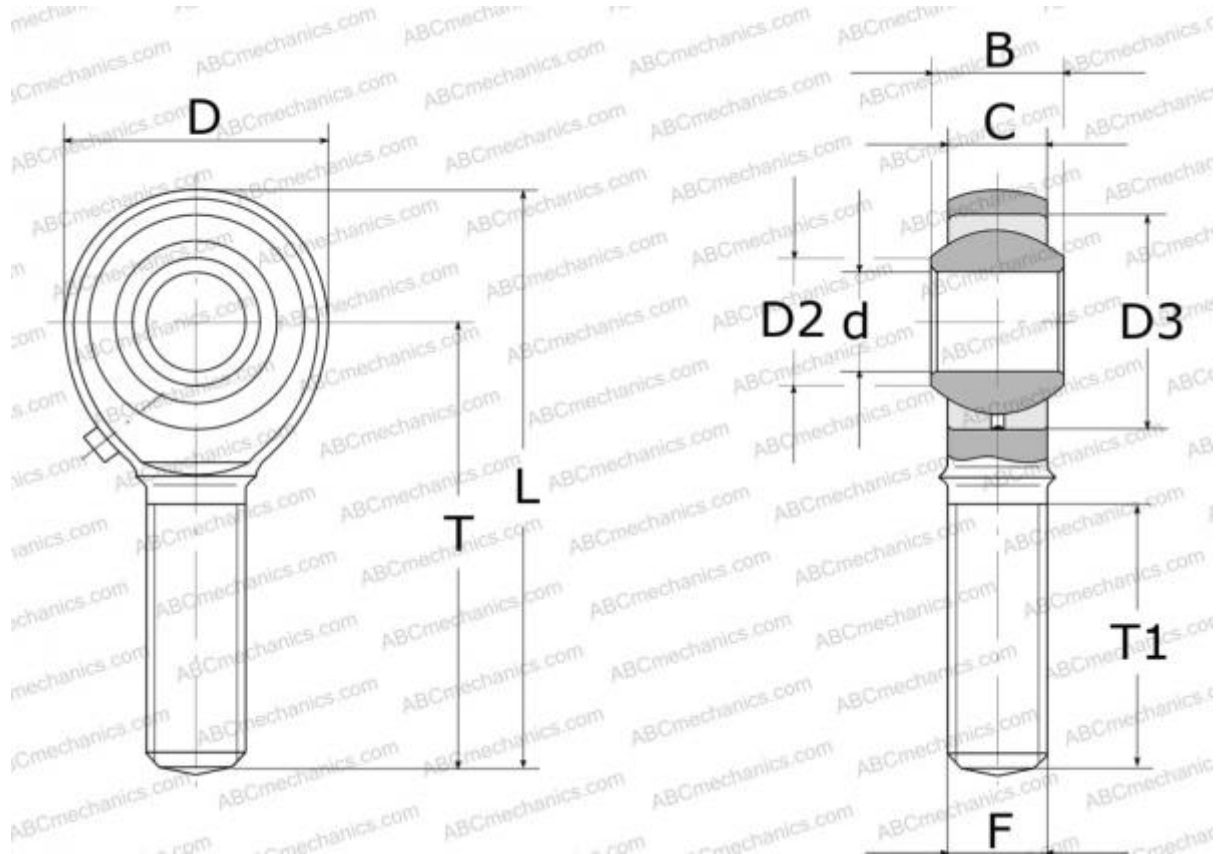


POS 5 L IKO

Rod ends

TYPE: Plain bearings, Spherical plain bearings and rod ends, Rod ends, Requiring maintenance, With internal thread, open design, left hand thread, series GAKL..PB, SALKAC, POS..L



Technical specification

DIMENSIONS, MM

d	5,000
D	16,000
D2	7,700
B	8,000
L	41,000
T	33,000
T1	20,000
C	6,000
F	M5x0.8

WEIGHT, KG 0,013

MANUFACTURER [IKO](#)

INTERCHANGE

ABC [POS 5 L](#)

INTERCHANGE

SKF	SALKAC 5 M
HEIM	SML 5
AURORA	MB-M5