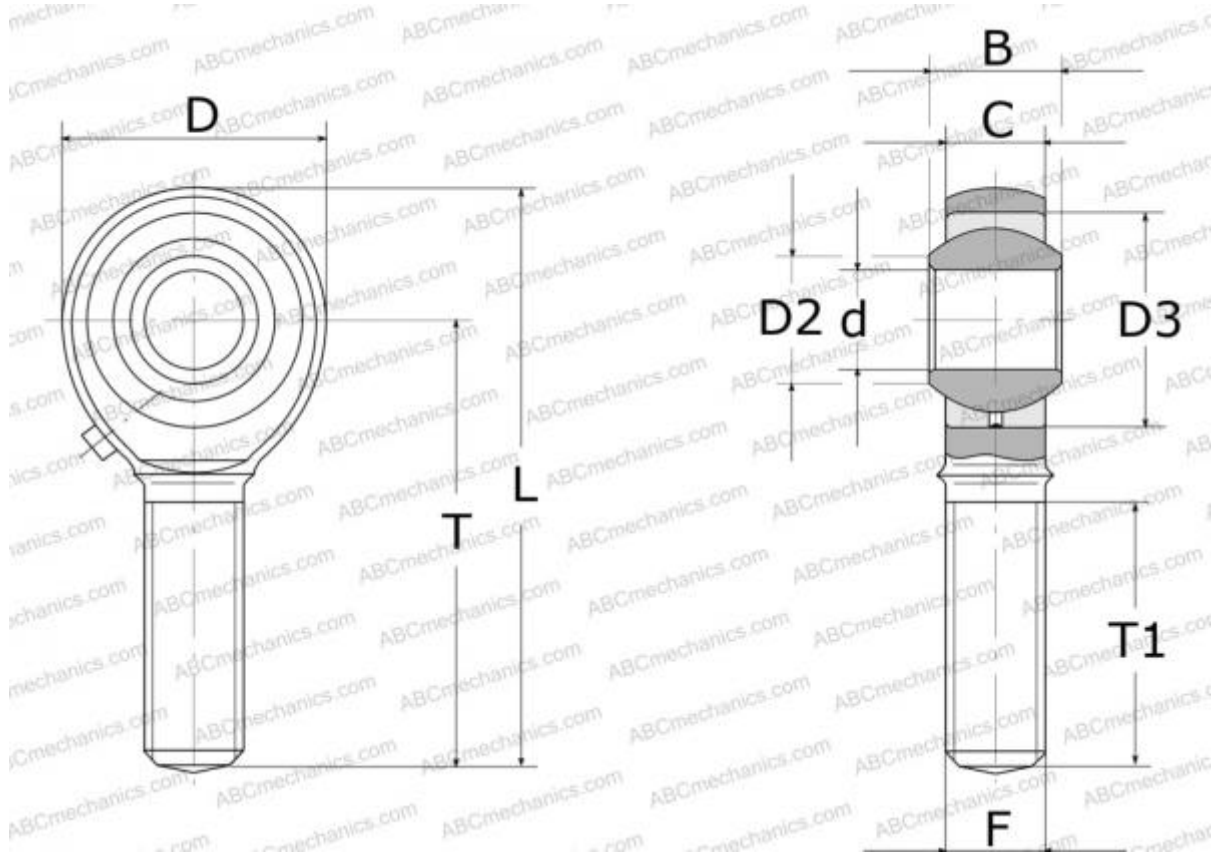


SALKAC 5 M SKF

Rod ends

TYPE: Plain bearings, Spherical plain bearings and rod ends, Rod ends, Requiring maintenance, With internal thread, open design, left hand thread, series GAKL..PB, SALKAC, POS..L



Technical specification

DIMENSIONS, MM

| | |
|----|--------|
| d | 5,000 |
| D | 19,000 |
| B | 8,000 |
| L | 44,000 |
| T | 33,000 |
| T1 | 19,000 |
| C | 6,000 |
| F | M5 |

WEIGHT, KG 0,013

MANUFACTURER [SKF](#)

INTERCHANGE

| | |
|-----|-------------------------|
| ABC | POS 5 L |
| IKO | POS 5 L |

INTERCHANGE

| | |
|--------|-----------------------|
| HEIM | SML 5 |
| AURORA | MB-M5 |

CALCULATION DATA

| | |
|------------------------------|----------|
| Basic dynamic load rating, C | 3,250 kN |
| Basic static load rating, Co | 4,800 kN |