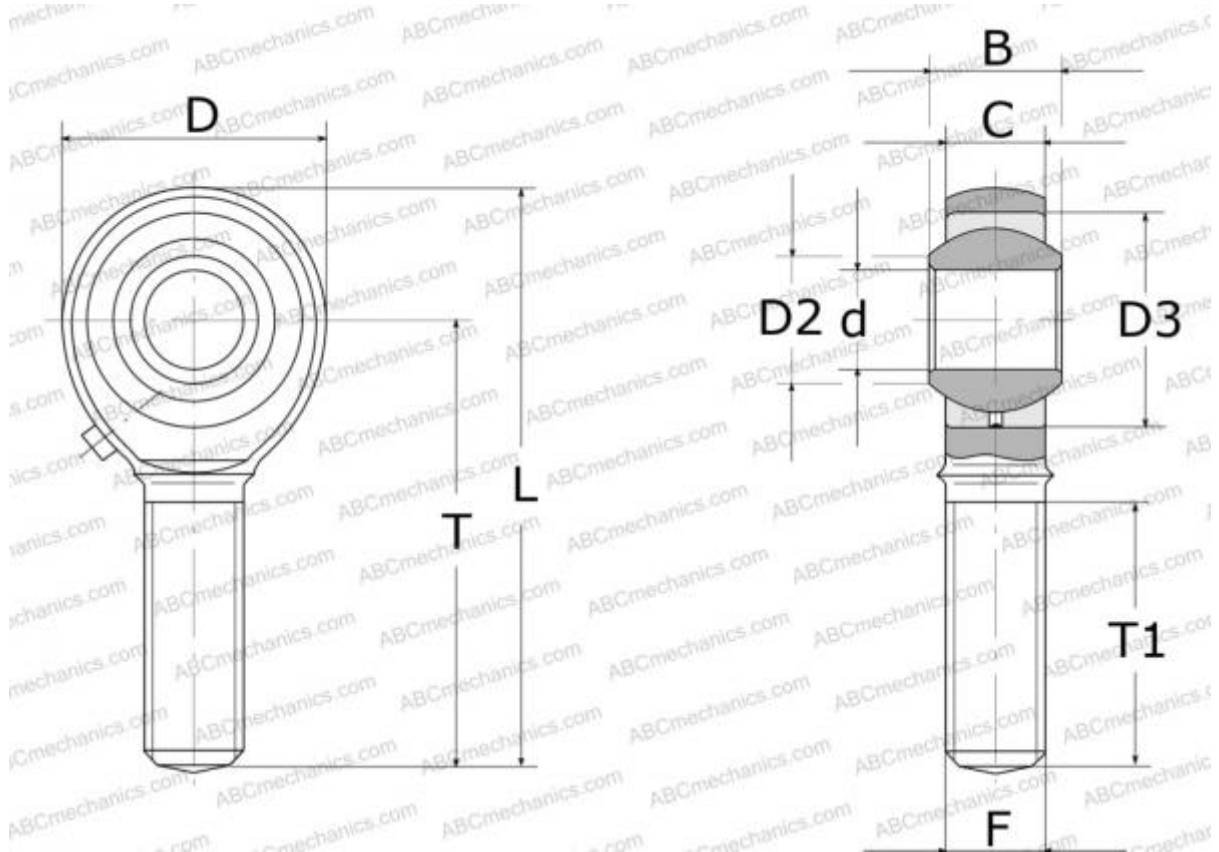


## POS 25 IKO

Rod ends

TYPE: Plain bearings, Spherical plain bearings and rod ends, Rod ends, Requiring maintenance, With internal thread, open design, left hand thread, series GAKL..PB, SALKAC, POS..L



### Technical specification

#### DIMENSIONS, MM

d	25,000
D	60,000
D2	29,600
B	31,000
L	124,000
T	94,000
T1	57,000
C	22,000
F	M24x2

**WEIGHT, KG** 0,650

**MANUFACTURER** [IKO](#)

#### CALCULATION DATA

Basic dynamic load rating, C 46,200 kN

#### CALCULATION DATA

Basic static load rating, Co 72,700 kN