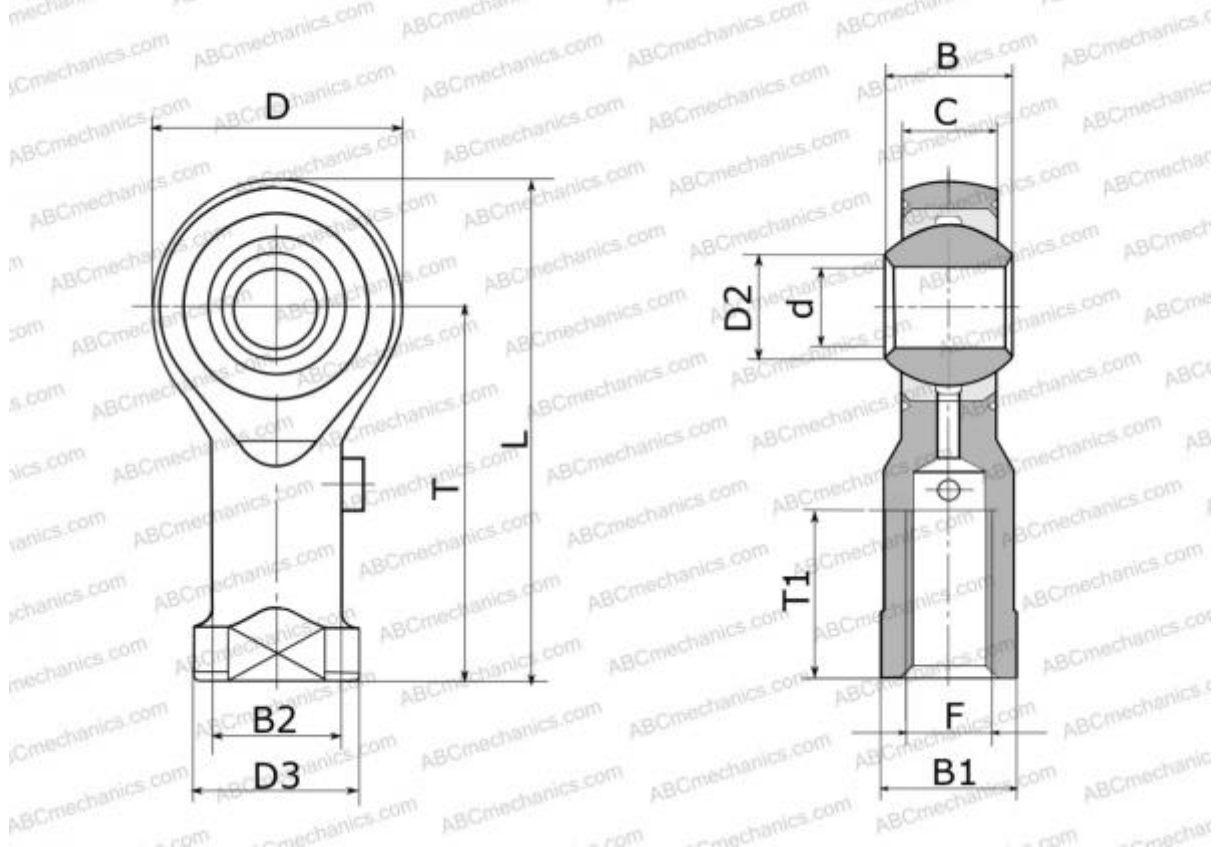


RF 2 ROSE

Rod ends

TYPE: Plain bearings, Spherical plain bearings and rod ends, Rod ends, Requiring maintenance, With internal thread, open design, right hand thread, inch, series PHSB, HF, HV, MV, TR, RF



Technical specification

DIMENSIONS, MM

d	3,175
D	11,910
D2	4,750
B	6,350
B1	6,350
L	26,570
T	20,620
T1	9,530
C	4,750
F	.1380-32UNC

MANUFACTURER

[ROSE](#)

INTERCHANGE

HEIM

[HF 2](#)

INTERCHANGE

ABC	PHSB 2
IKO	PHSB 2