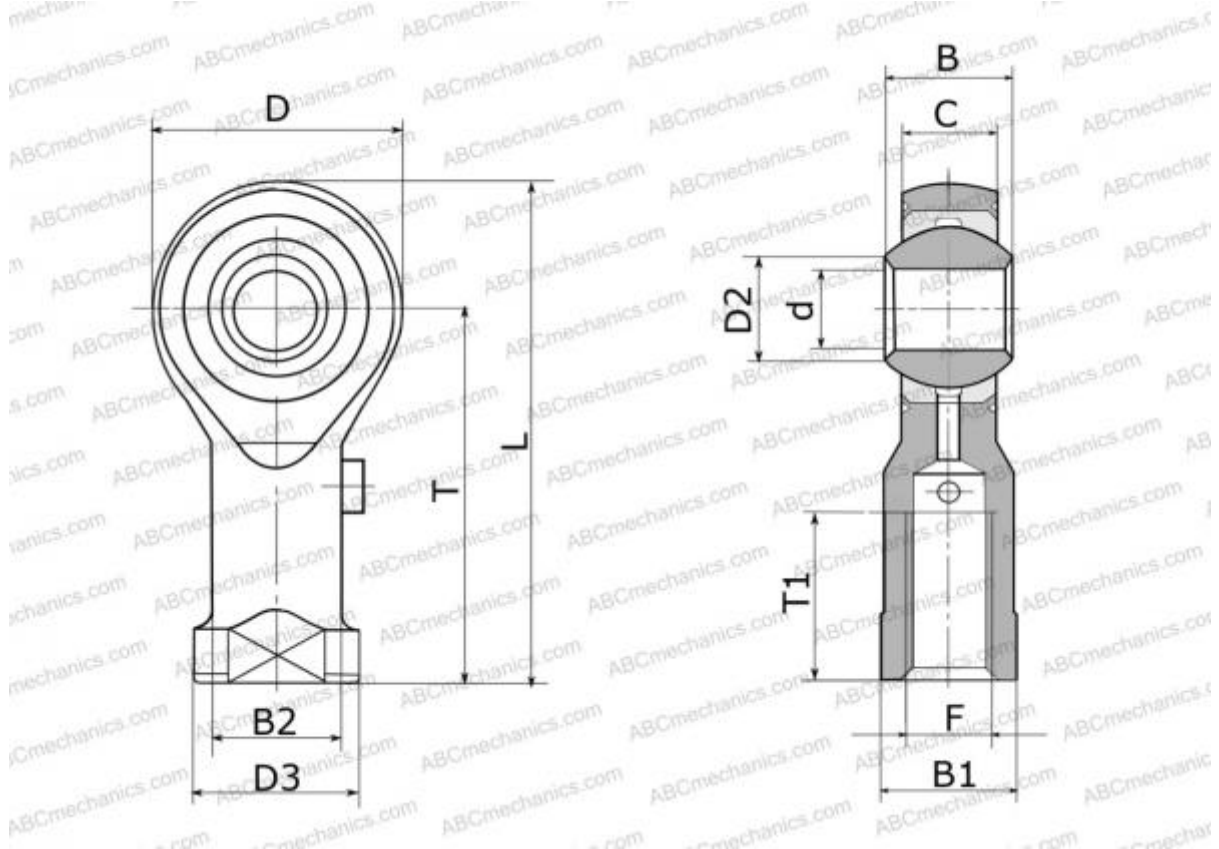


RF 2 A ROSE

Rod ends

TYPE: Plain bearings, Spherical plain bearings and rod ends, Rod ends, Requiring maintenance, With internal thread, open design, right hand thread, inch, series PHSB, HF, HV, MV, TR, RF



Technical specification

DIMENSIONS, MM

d	3,967
D	14,270
D2	6,320
B	7,140
B1	7,140
L	29,360
T	22,230
T1	9,530
C	5,560
F	.1640-32UNC

INTERCHANGE

HEIM

[HF 2 A](#)

MANUFACTURER

[ROSE](#)

INTERCHANGE

ABC	PHSB 2.5
IKO	PHSB 2.5