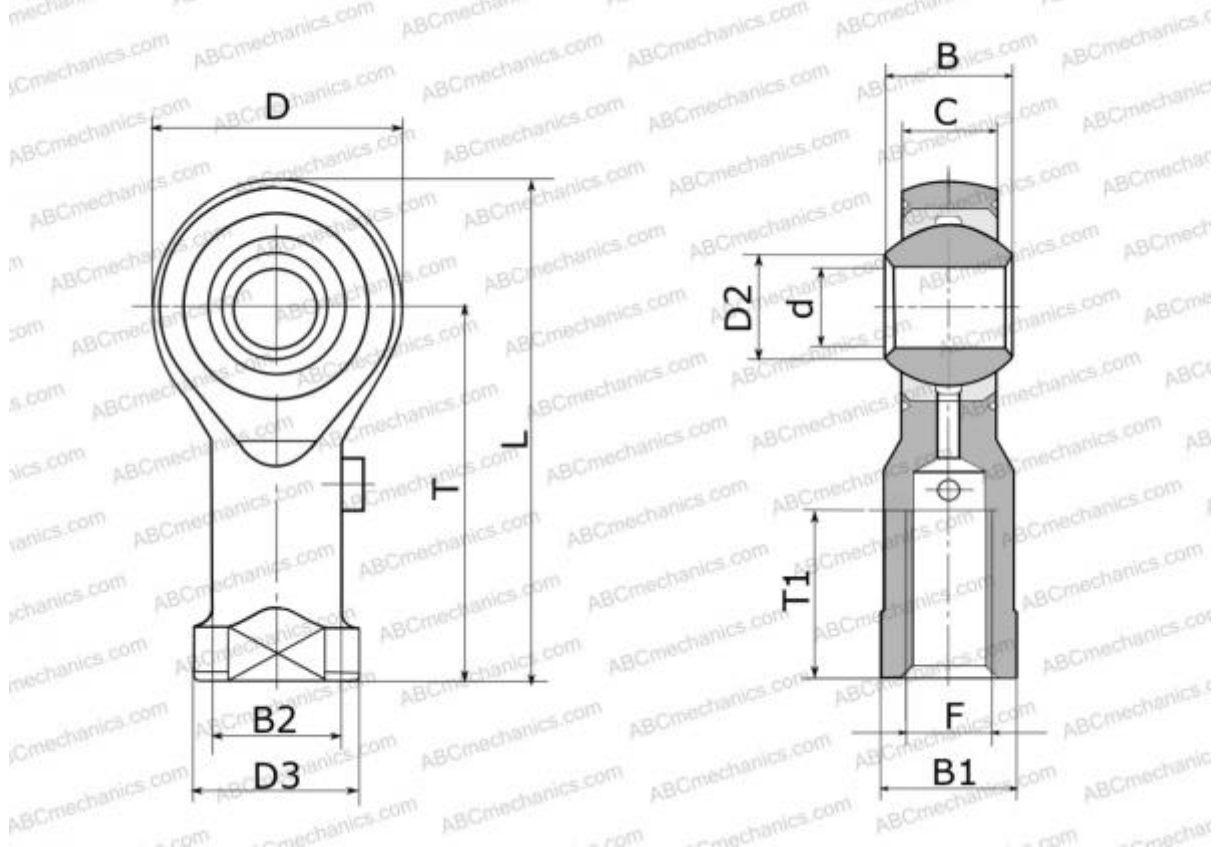


PHSB 3 IKO

Rod ends

TYPE: Plain bearings, Spherical plain bearings and rod ends, Rod ends, Requiring maintenance, With internal thread, open design, right hand thread, inch, series PHSB, HF, HV, MV, TR, RF



Technical specification

DIMENSIONS, MM

d	4,826
D	15,880
D2	7,770
B	7,920
B1	7,920
L	34,930
T	26,970
T1	14,270
C	6,350
F	.1900-32UNF

INTERCHANGE

ALINABAL	VF 3
AURORA	MW 3
SPHERCO	TR 3
ROSE	RF 3

CALCULATION DATA

Basic dynamic load rating, C	3,460 kN
Basic static load rating, Co	9,090 kN

MANUFACTURER [IKO](#)

INTERCHANGE

ABC	PHSB 3
HEIM	HF 3