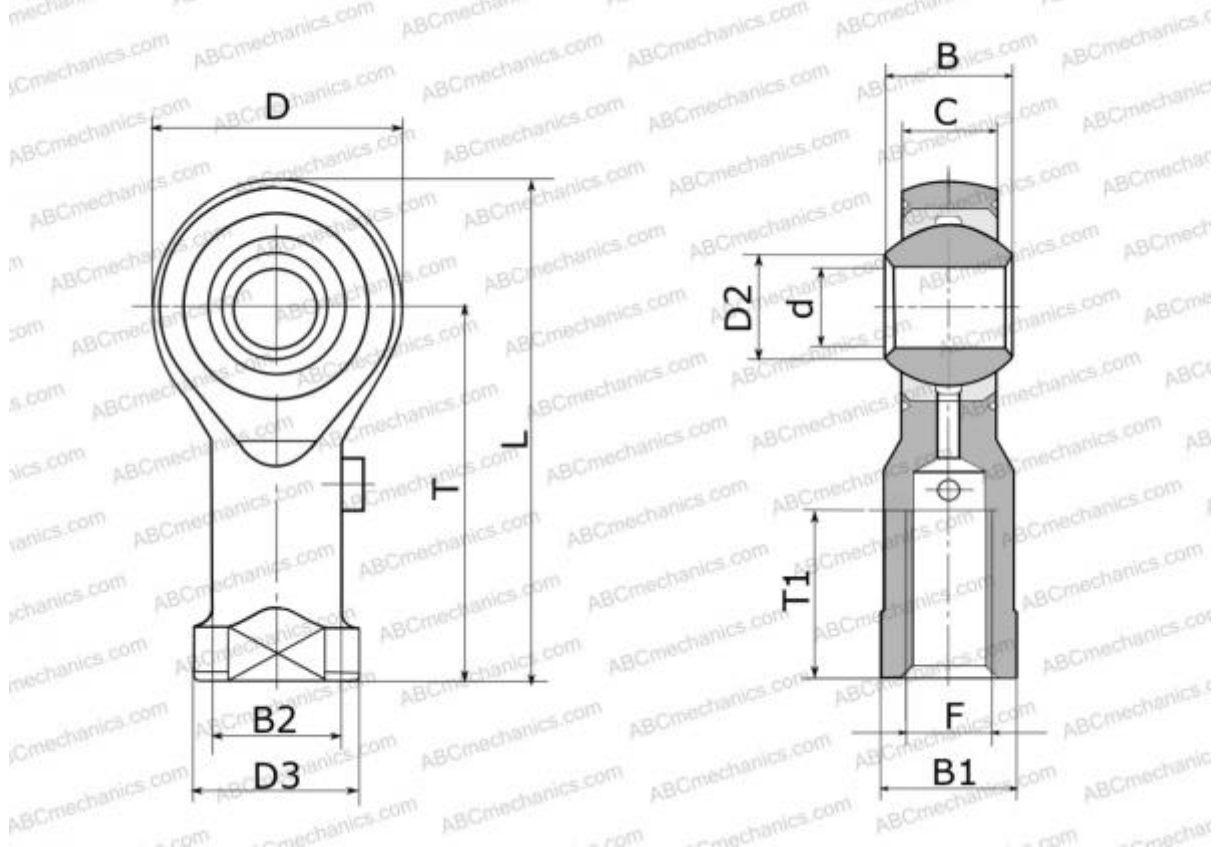


## VF 3 ALINABAL

Rod ends

TYPE: Plain bearings, Spherical plain bearings and rod ends, Rod ends, Requiring maintenance, With internal thread, open design, right hand thread, inch, series PHSB, HF, HV, MV, TR, RF



### Technical specification

#### DIMENSIONS, MM

d	4,826
D	15,880
D2	7,770
B	7,920
B1	7,920
L	34,930
T	26,970
T1	14,270
C	6,350
F	.1900-32UNF

**MANUFACTURER** [ALINABAL](#)

#### INTERCHANGE

ABC	<a href="#">PHSB 3</a>
IKO	<a href="#">PHSB 3</a>

#### INTERCHANGE

HEIM	<a href="#">HF 3</a>
AURORA	<a href="#">MW 3</a>
SPHERCO	<a href="#">TR 3</a>
ROSE	<a href="#">RF 3</a>