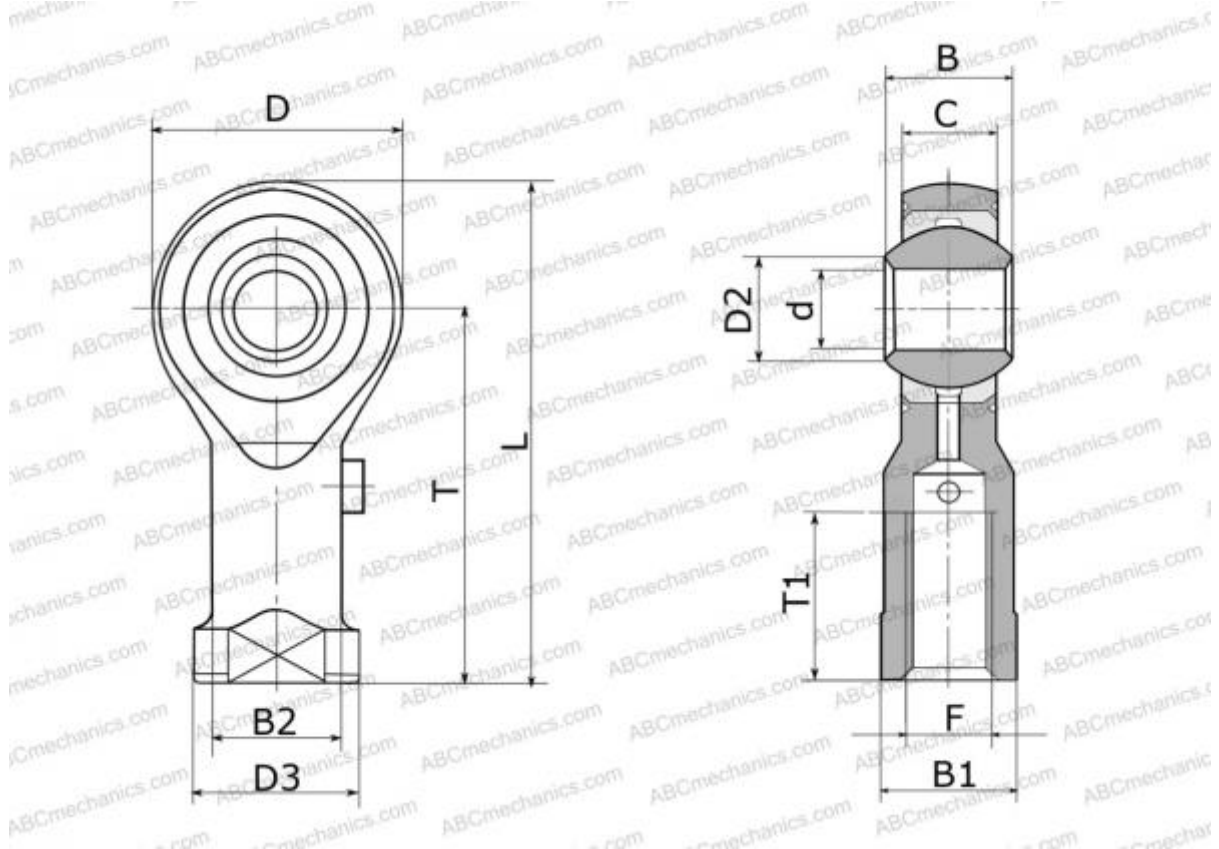


TR 3 SPHERCO

Rod ends

TYPE: Plain bearings, Spherical plain bearings and rod ends, Rod ends, Requiring maintenance, With internal thread, open design, right hand thread, inch, series PHSB, HF, HV, MV, TR, RF



Technical specification

DIMENSIONS, MM

d	4,826
D	15,880
D2	7,770
B	7,920
B1	7,920
L	34,930
T	26,970
T1	14,270
C	6,350
F	.1900-32UNF

INTERCHANGE

HEIM	HF 3
ALINABAL	VF 3
AURORA	MW 3
ROSE	RF 3

MANUFACTURER [SPHERCO](#)

INTERCHANGE

ABC	PHSB 3
IKO	PHSB 3