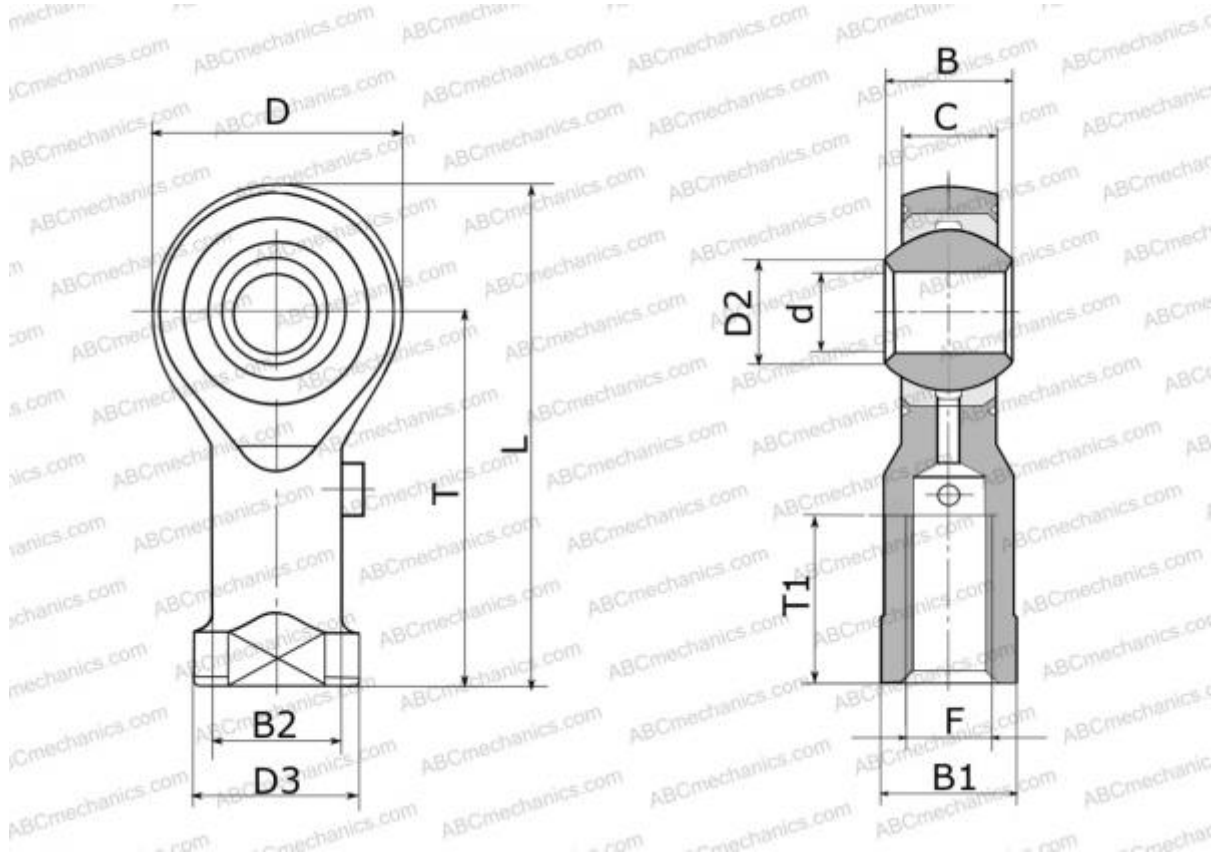


PHSB 2 L ABC

Rod ends

TYPE: Plain bearings, Spherical plain bearings and rod ends, Rod ends, Requiring maintenance, With internal thread, open design, right hand thread, inch, series PHSB..L



Technical specification

DIMENSIONS, MM

d	3,175
D	11,910
D2	4,750
B	6,350
B1	6,350
L	26,570
T	20,620
T1	9,530
C	4,750
F	.1380-32UNC

WEIGHT, KG 0,007

MANUFACTURER [ABC](#)

INTERCHANGE

IKO

[PHSB 2 L](#)