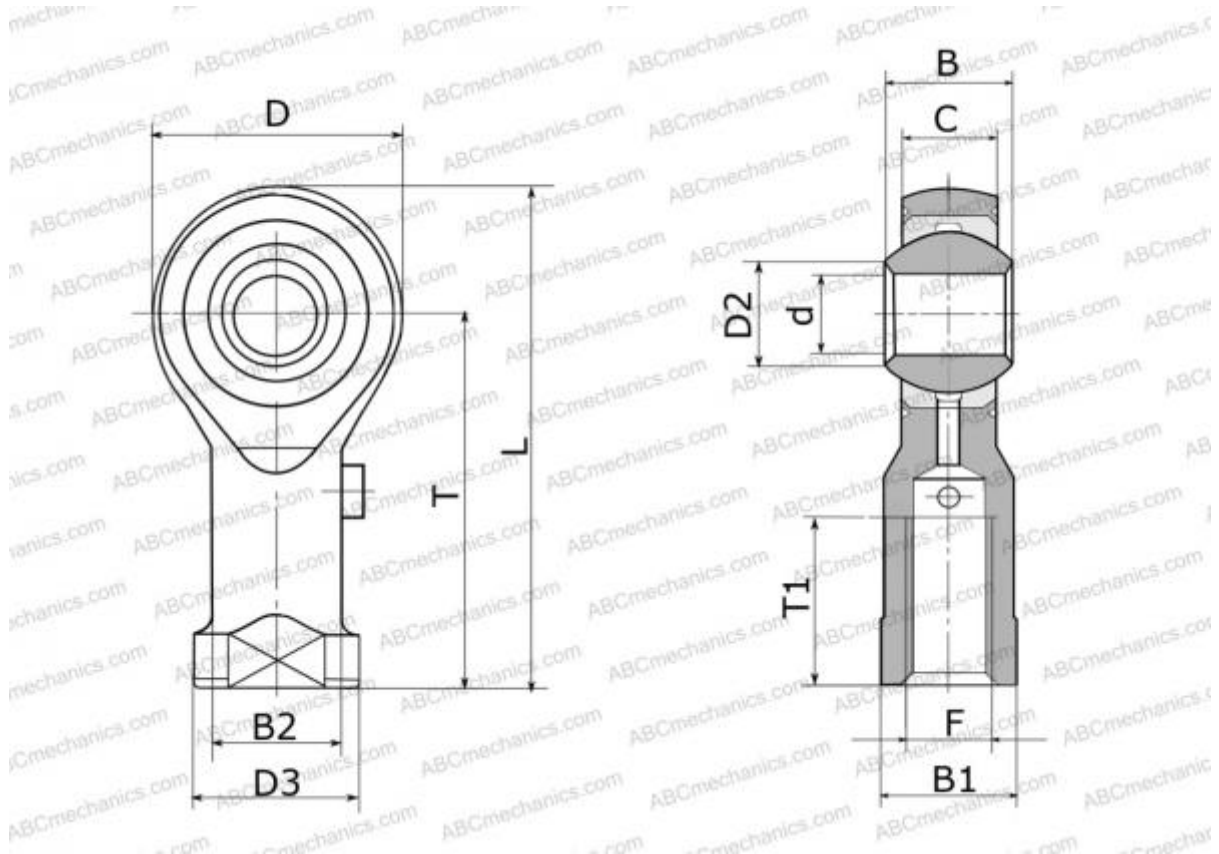


## PHSB 2 L IKO

Rod ends

TYPE: Plain bearings, Spherical plain bearings and rod ends, Rod ends, Requiring maintenance, With internal thread, open design, right hand thread, inch, series PHSB..L



### Technical specification

#### DIMENSIONS, MM

d	3,175
D	11,910
D2	4,750
B	6,350
B1	6,350
L	26,570
T	20,620
T1	9,530
C	4,750
F	.1380-32UNC

**WEIGHT, KG** 0,007

**MANUFACTURER** [IKO](#)

#### INTERCHANGE

ABC [PHSB 2 L](#)

#### CALCULATION DATA

Basic dynamic load rating, C	1,850 kN
Basic static load rating, Co	5,840 kN