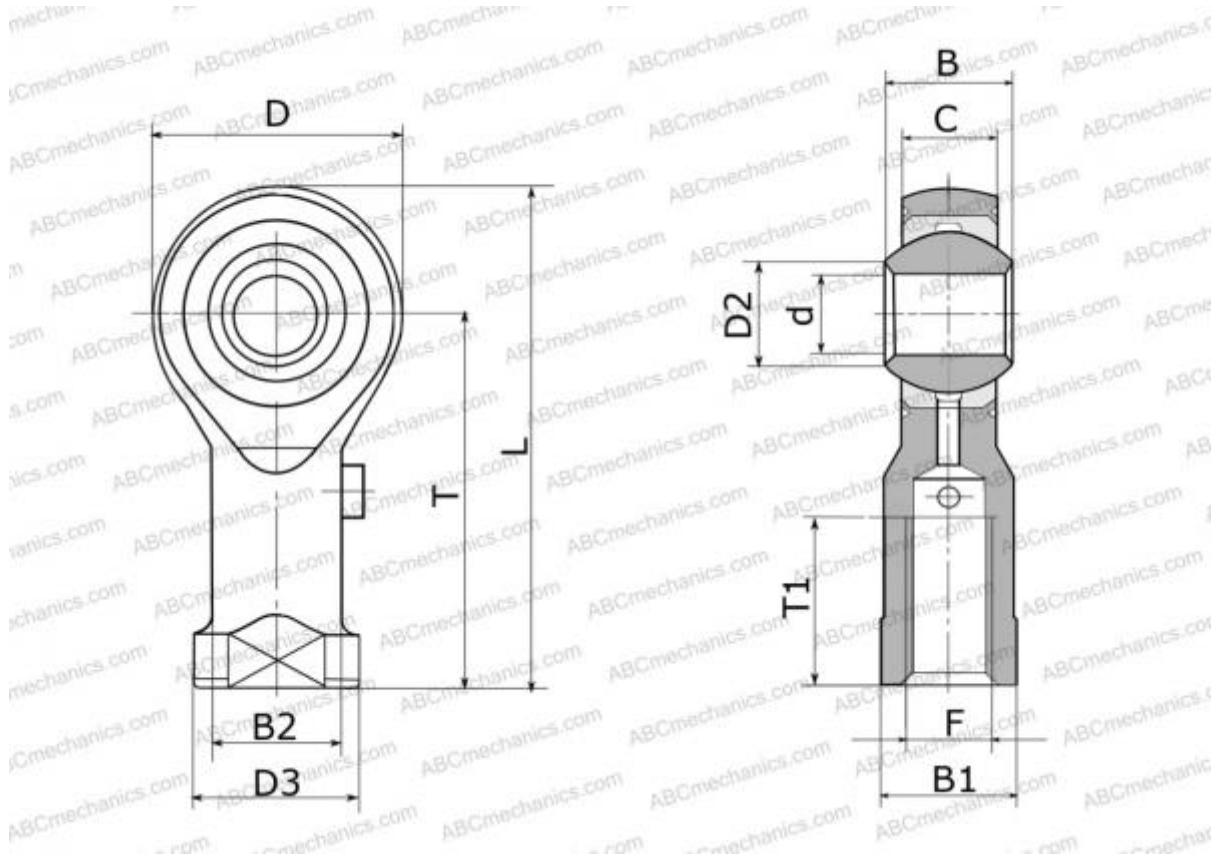


PHSB 5 L ABC

Rod ends

TYPE: Plain bearings, Spherical plain bearings and rod ends, Rod ends, Requiring maintenance, With internal thread, open design, right hand thread, inch, series PHSB..L



Technical specification

DIMENSIONS, MM

d	7,938
D	22,230
D2	11,350
B	11,100
B1	11,100
L	46,020
T	34,930
T1	19,050
C	8,740
F	.3125-24UNF

WEIGHT, KG 0,036

MANUFACTURER [ABC](#)

INTERCHANGE

IKO

[PHSB 5 L](#)