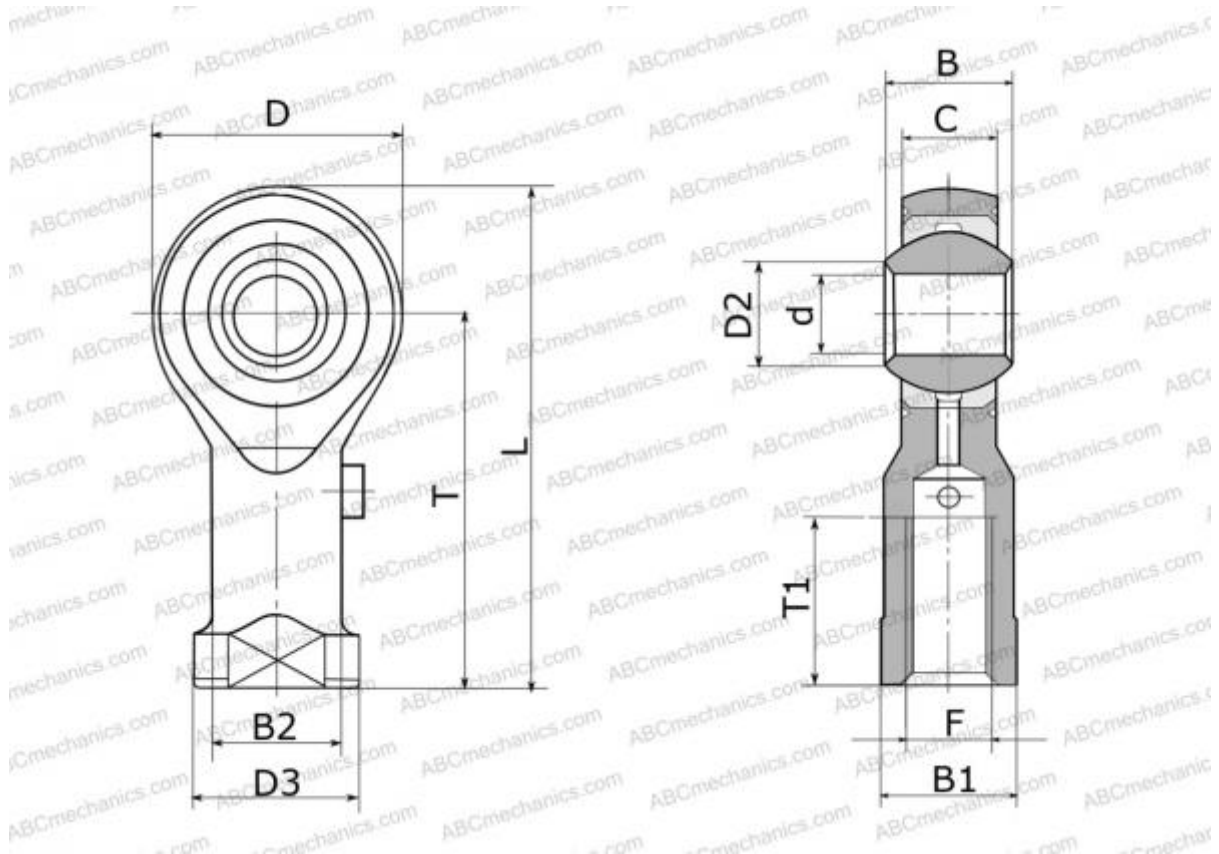


## PHSB 5 L IKO

Rod ends

TYPE: Plain bearings, Spherical plain bearings and rod ends, Rod ends, Requiring maintenance, With internal thread, open design, right hand thread, inch, series PHSB..L



### Technical specification

#### DIMENSIONS, MM

d	7,938
D	22,230
D2	11,350
B	11,100
B1	11,100
L	46,020
T	34,930
T1	19,050
C	8,740
F	.3125-24UNF

**WEIGHT, KG** 0,036

**MANUFACTURER** [IKO](#)

#### INTERCHANGE

ABC [PHSB 5 L](#)

#### CALCULATION DATA

Basic dynamic load rating, C	6,800 kN
Basic static load rating, Co	16,500 kN