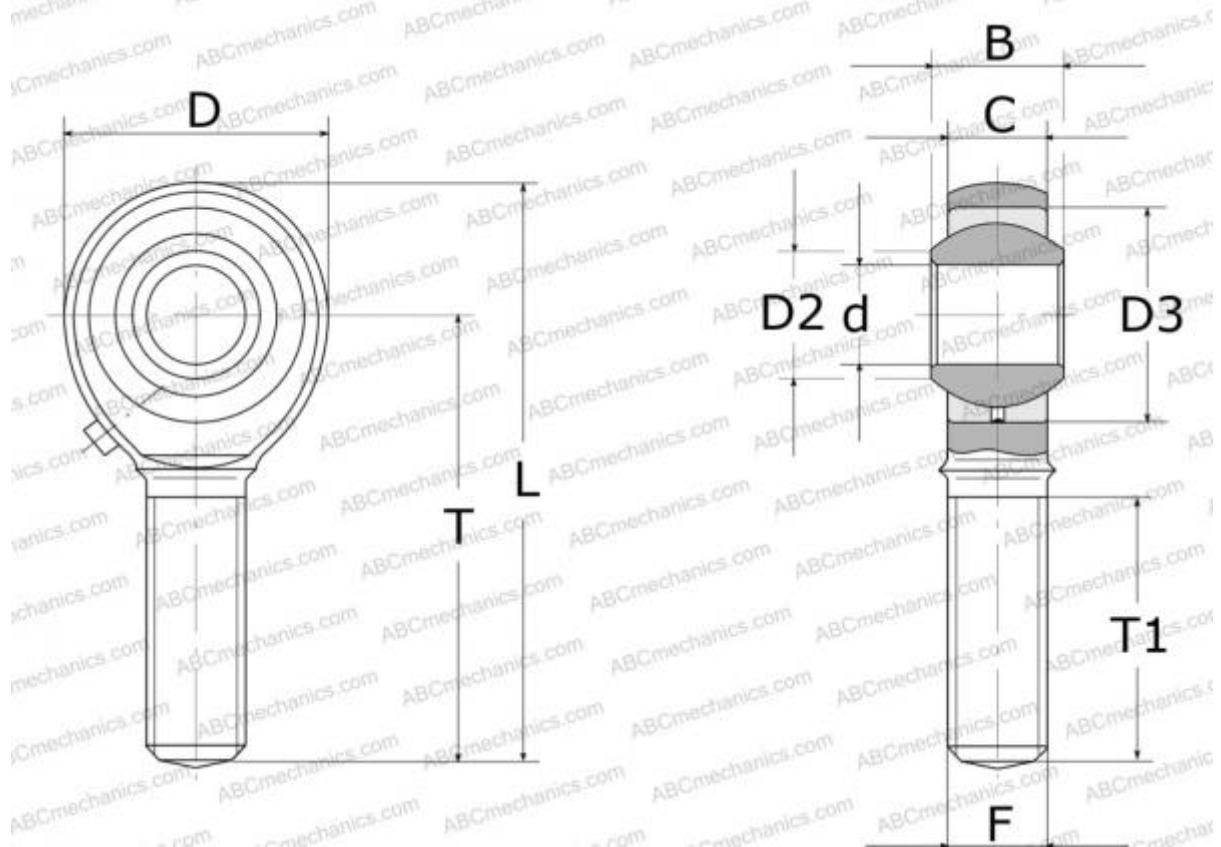


POSB 2 ABC

Rod ends

TYPE: Plain bearings, Spherical plain bearings and rod ends, Rod ends, Requiring maintenance, With internal thread, open design, right hand thread, inch, series POSB, HM, VM, MM, TRE, RM



Technical specification

DIMENSIONS, MM

| | |
|----|-------------|
| d | 3,175 |
| D | 11,910 |
| D2 | 4,750 |
| B | 6,350 |
| L | 29,770 |
| T | 23,800 |
| T1 | 12,700 |
| C | 4,750 |
| F | .1380-32UNC |

MANUFACTURER [ABC](#)

INTERCHANGE

| | |
|------|------------------------|
| IKO | POSB 2 |
| HEIM | HM 2 |
| ROSE | RM 2 |