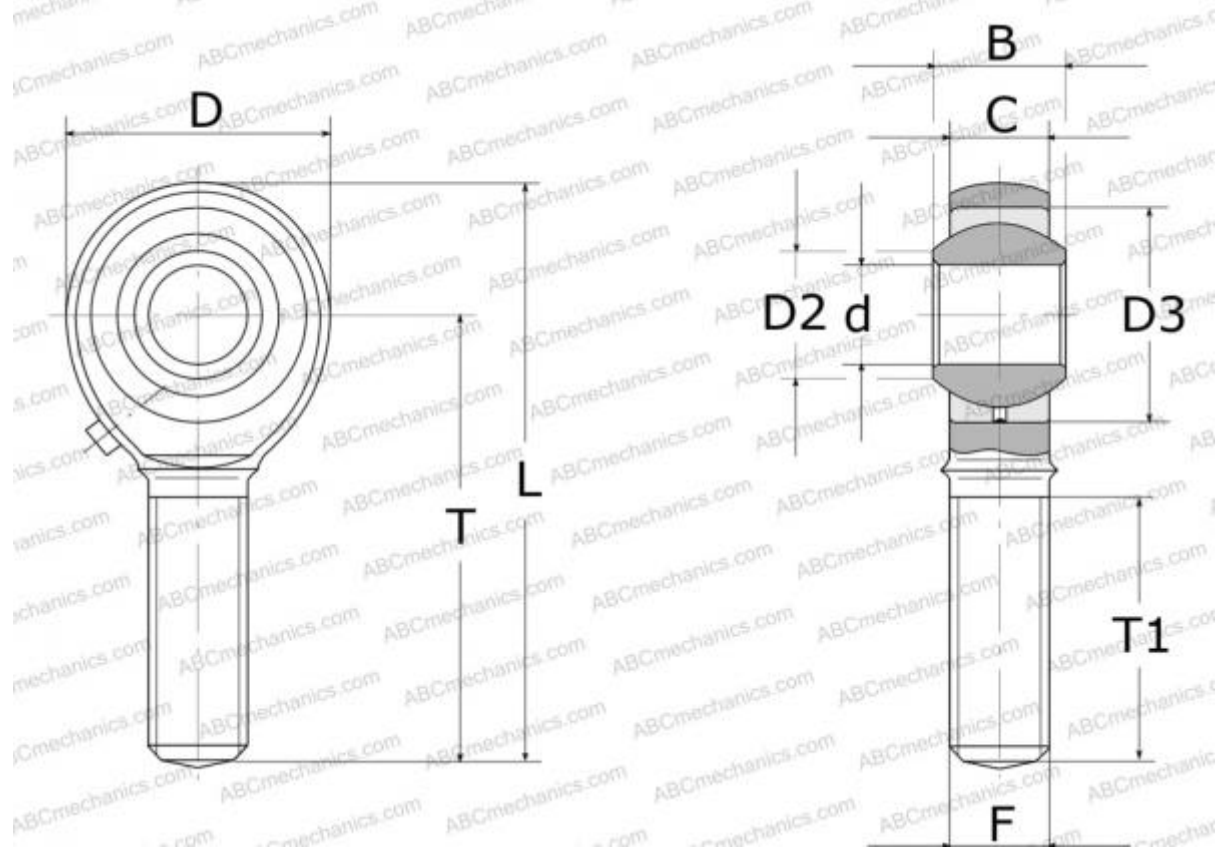


POSB 2 IKO

Rod ends

TYPE: Plain bearings, Spherical plain bearings and rod ends, Rod ends, Requiring maintenance, With internal thread, open design, right hand thread, inch, series POSB, HM, VM, MM, TRE, RM



Technical specification

DIMENSIONS, MM

d	3,175
D	11,910
D2	4,750
B	6,350
L	29,770
T	23,800
T1	12,700
C	4,750
F	.1380-32UNC

WEIGHT, KG 0,006

MANUFACTURER [IKO](#)

INTERCHANGE

ABC [POSB 2](#)

INTERCHANGE

HEIM	HM 2
ROSE	RM 2

CALCULATION DATA

Basic dynamic load rating, C	1,850 kN
Basic static load rating, Co	2,160 kN