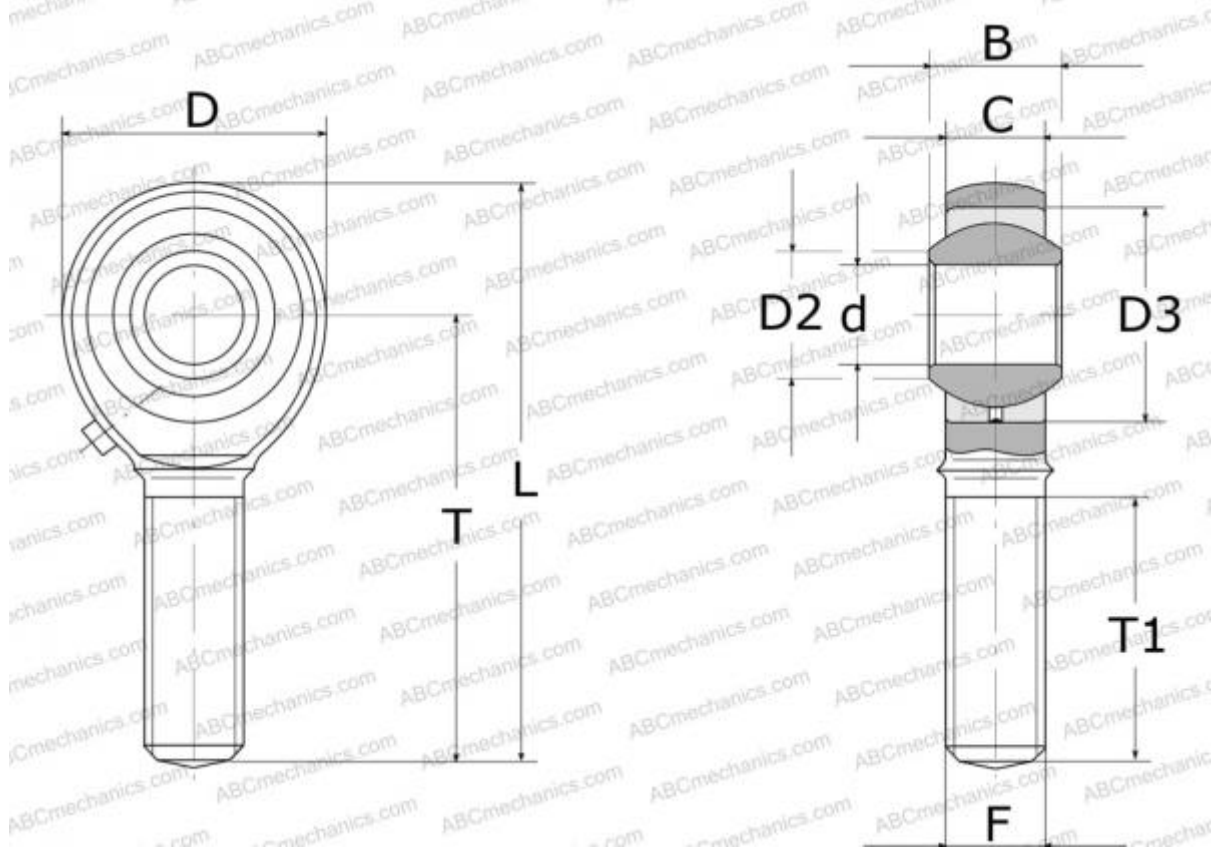


## HM 2 HEIM

Rod ends

TYPE: Plain bearings, Spherical plain bearings and rod ends, Rod ends, Requiring maintenance, With internal thread, open design, right hand thread, inch, series POSB, HM, VM, MM, TRE, RM



### Technical specification

#### DIMENSIONS, MM

d	3,175
D	11,910
D2	4,750
B	6,350
L	29,770
T	23,800
T1	12,700
C	4,750
F	.1380-32UNC

**MANUFACTURER** [HEIM](#)

#### INTERCHANGE

ABC	<a href="#">POSB 2</a>
IKO	<a href="#">POSB 2</a>
ROSE	<a href="#">RM 2</a>