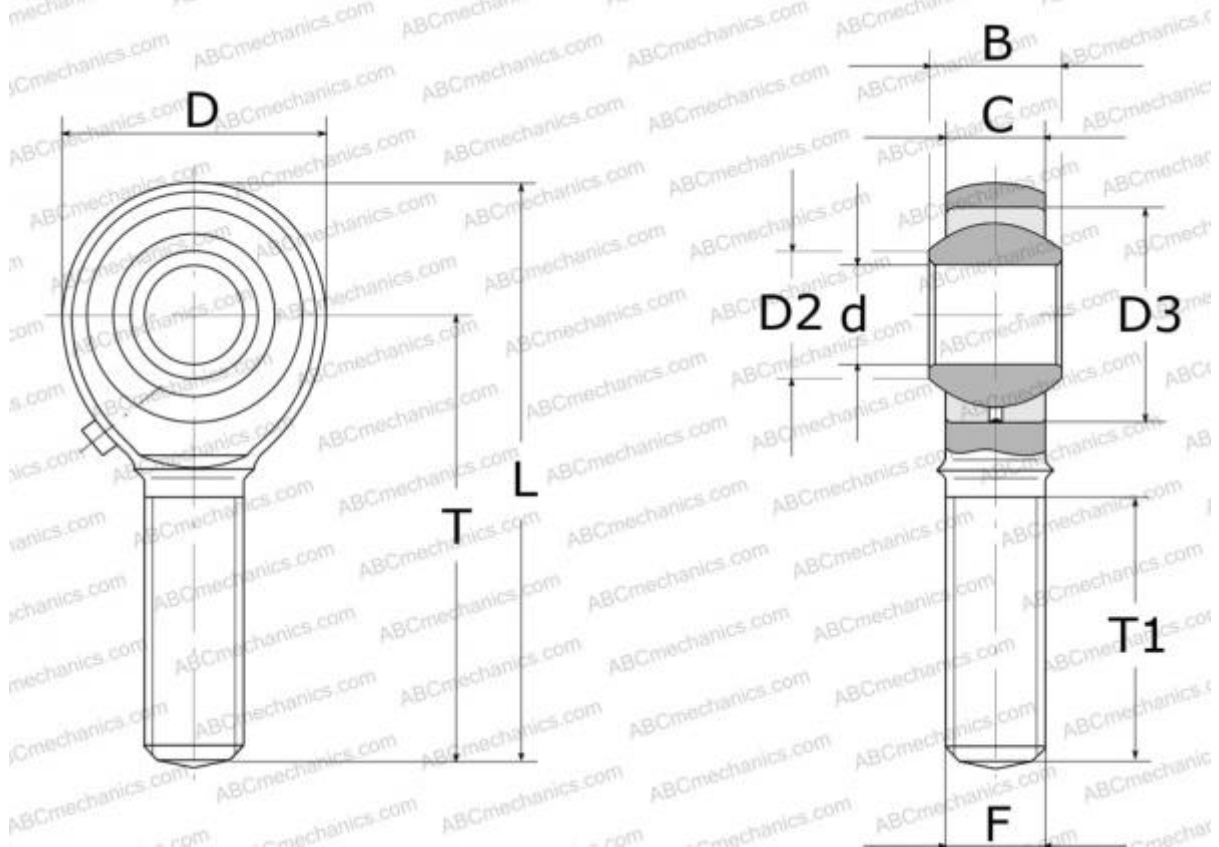


## POSB 2.5 ABC

Rod ends

TYPE: Plain bearings, Spherical plain bearings and rod ends, Rod ends, Requiring maintenance, With internal thread, open design, right hand thread, inch, series POSB, HM, VM, MM, TRE, RM



### Technical specification

#### DIMENSIONS, MM

d	3,967
D	14,270
D2	6,320
B	7,140
L	35,710
T	28,580
T1	15,880
C	5,560
F	.1640-32UNC

**WEIGHT, KG** 0,009

**MANUFACTURER** [ABC](#)

#### INTERCHANGE

IKO [POSB 2.5](#)

#### INTERCHANGE

HEIM	<a href="#">HM 2 A</a>
ROSE	<a href="#">RM 2 A</a>