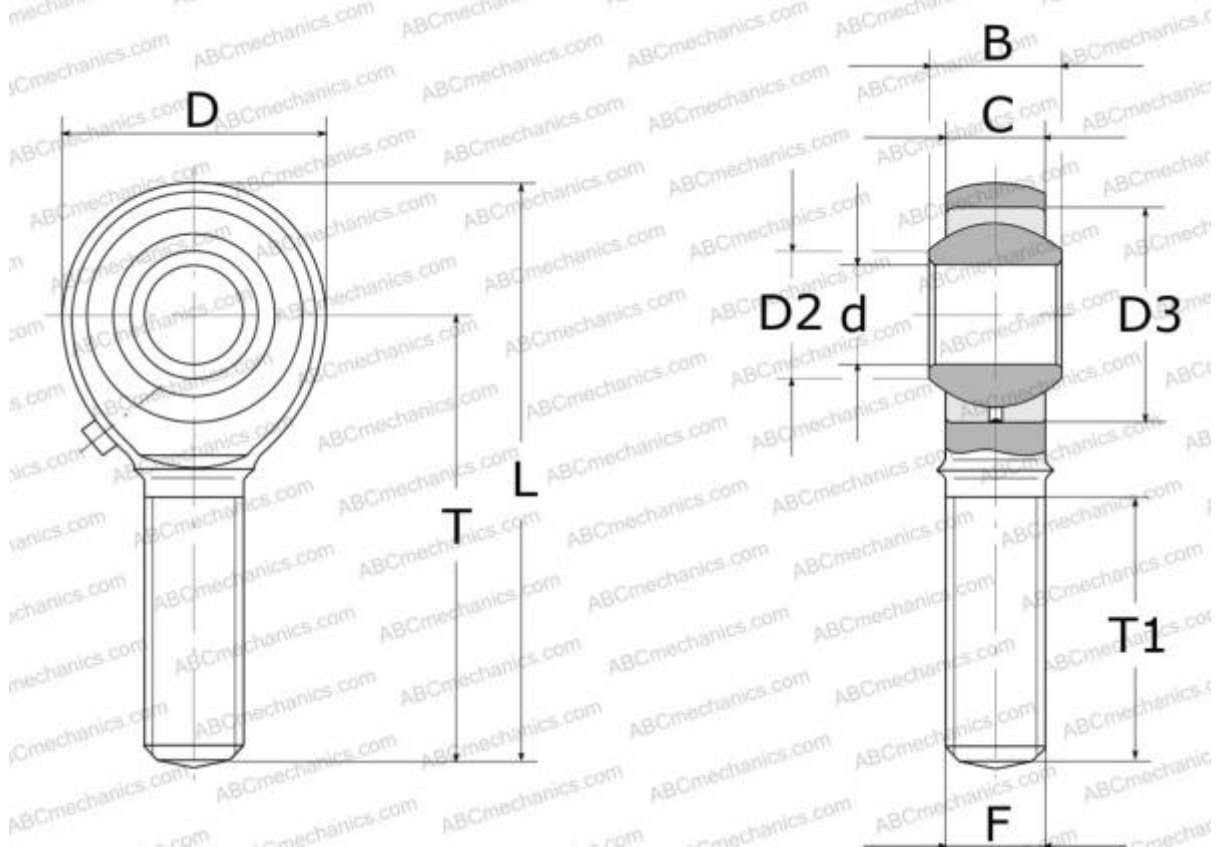


HM 2 A HEIM

Rod ends

TYPE: Plain bearings, Spherical plain bearings and rod ends, Rod ends, Requiring maintenance, With internal thread, open design, right hand thread, inch, series POSB, HM, VM, MM, TRE, RM



Technical specification

DIMENSIONS, MM

d	3,967
D	14,270
D2	6,320
B	7,140
L	35,710
T	28,580
T1	15,880
C	5,560
F	.1640-32UNC

WEIGHT, KG 0,009

MANUFACTURER [HEIM](#)

INTERCHANGE

ABC [POSB 2.5](#)

INTERCHANGE

IKO [POSB 2.5](#)
ROSE [RM 2 A](#)