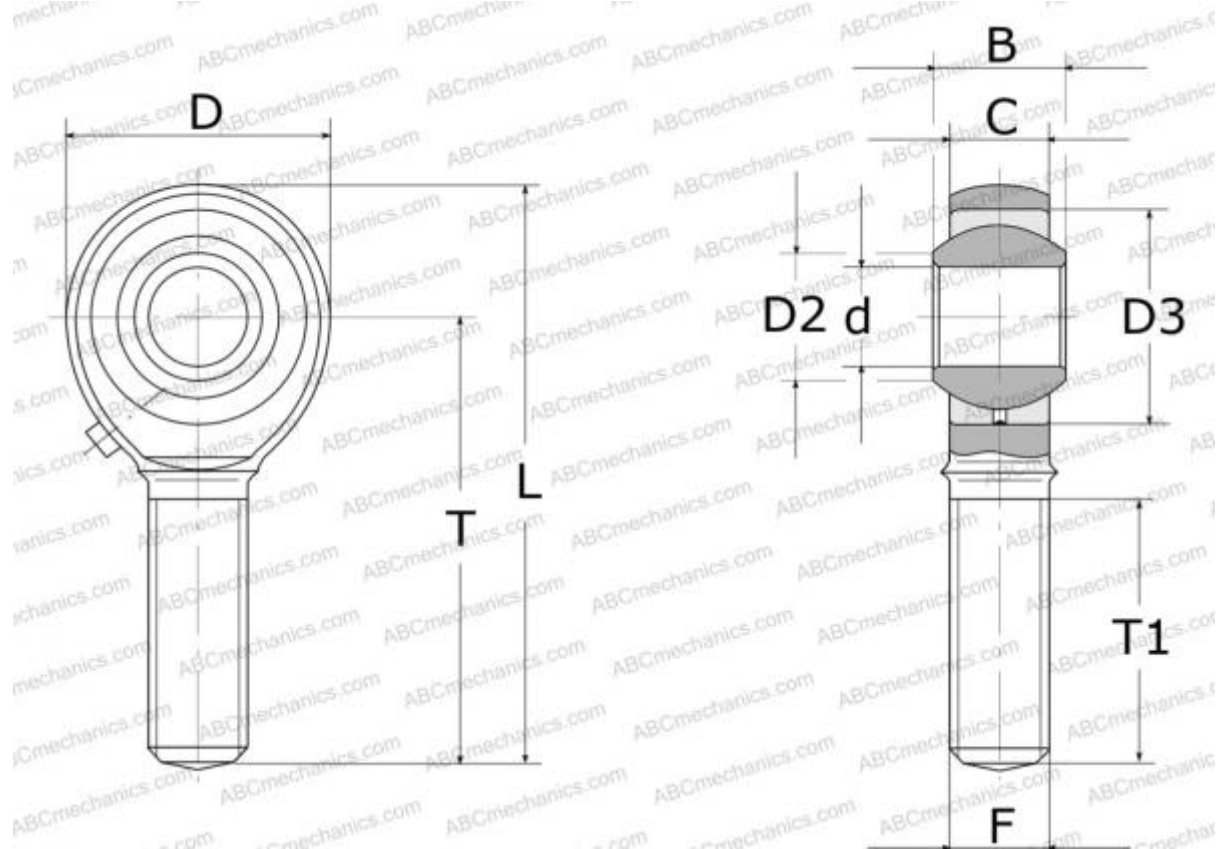


## POSB 3 IKO

Rod ends

TYPE: Plain bearings, Spherical plain bearings and rod ends, Rod ends, Requiring maintenance, With internal thread, open design, right hand thread, inch, series POSB, HM, VM, MM, TRE, RM



### Technical specification

#### DIMENSIONS, MM

d	4,826
D	15,880
D2	7,770
B	7,920
L	39,700
T	31,750
T1	19,050
C	6,350
F	.1900-32UNF

**WEIGHT, KG** 0,013

**MANUFACTURER** [IKO](#)

#### INTERCHANGE

ABC [POSB 3](#)

#### INTERCHANGE

HEIM	<a href="#">HM 3</a>
ALINABAL	<a href="#">VM 3</a>
AURORA	<a href="#">MM 3</a>
SPHERCO	<a href="#">TRE 3</a>
ROSE	<a href="#">RM 3</a>

#### CALCULATION DATA

Basic dynamic load rating, C	3,460 kN
Basic static load rating, Co	4,850 kN