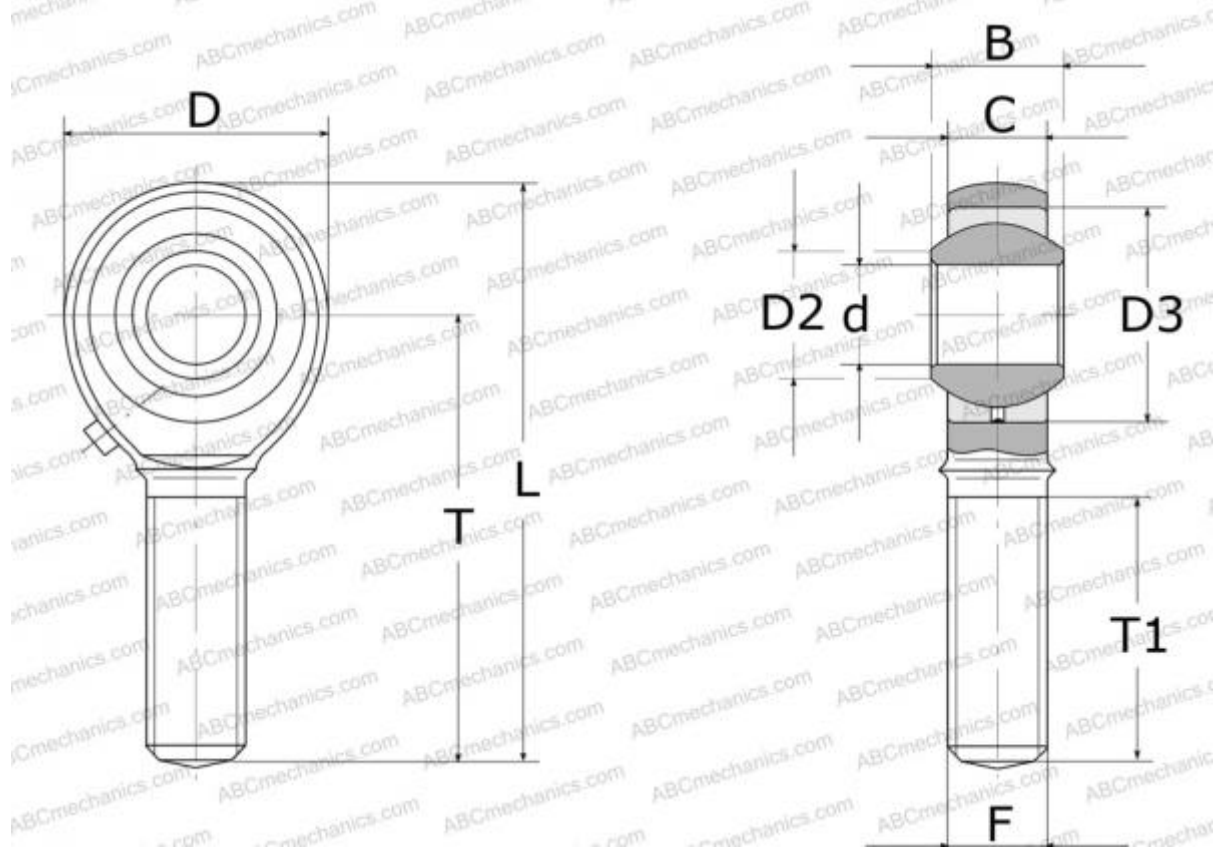


VM 4 ALINABAL

Rod ends

TYPE: Plain bearings, Spherical plain bearings and rod ends, Rod ends, Requiring maintenance, With internal thread, open design, right hand thread, inch, series POSB, HM, VM, MM, TRE, RM



Technical specification

DIMENSIONS, MM

d	6,350
D	19,050
D2	9,020
B	9,530
L	49,200
T	39,670
T1	25,400
C	7,140
F	.2500-28UNF

WEIGHT, KG 0,022

MANUFACTURER [ALINABAL](#)

INTERCHANGE

ABC [POSB 4](#)

INTERCHANGE

IKO	POSB 4
HEIM	HM 4
AURORA	MM 4
SPHERCO	TRE 4
ROSE	RM 4