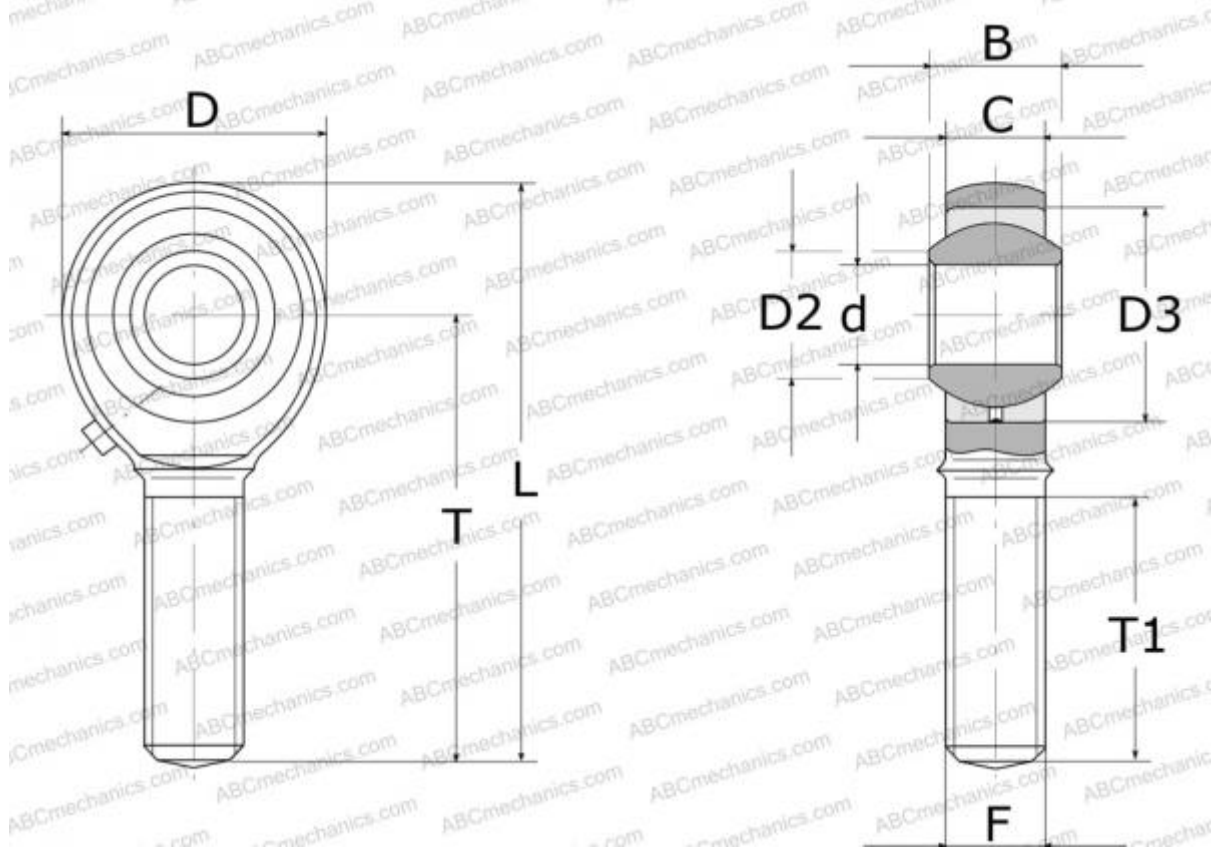


PHSB 2 IKO

Rod ends

TYPE: Plain bearings, Spherical plain bearings and rod ends, Rod ends, Requiring maintenance, With internal thread, open design, right hand thread, inch, series POSB, HM, VM, MM, TRE, RM



Technical specification

DIMENSIONS, MM

d	3,175
D	11,910
D2	4,750
B	6,350
B1	6,350
L	26,570
T	20,620
T1	9,530
C	4,750
F	.1380-32UNC

WEIGHT, KG 0,007

MANUFACTURER [IKO](http://www.iko.com)

CALCULATION DATA

Basic dynamic load rating, C	1,850 kN
Basic static load rating, Co	2,160 kN