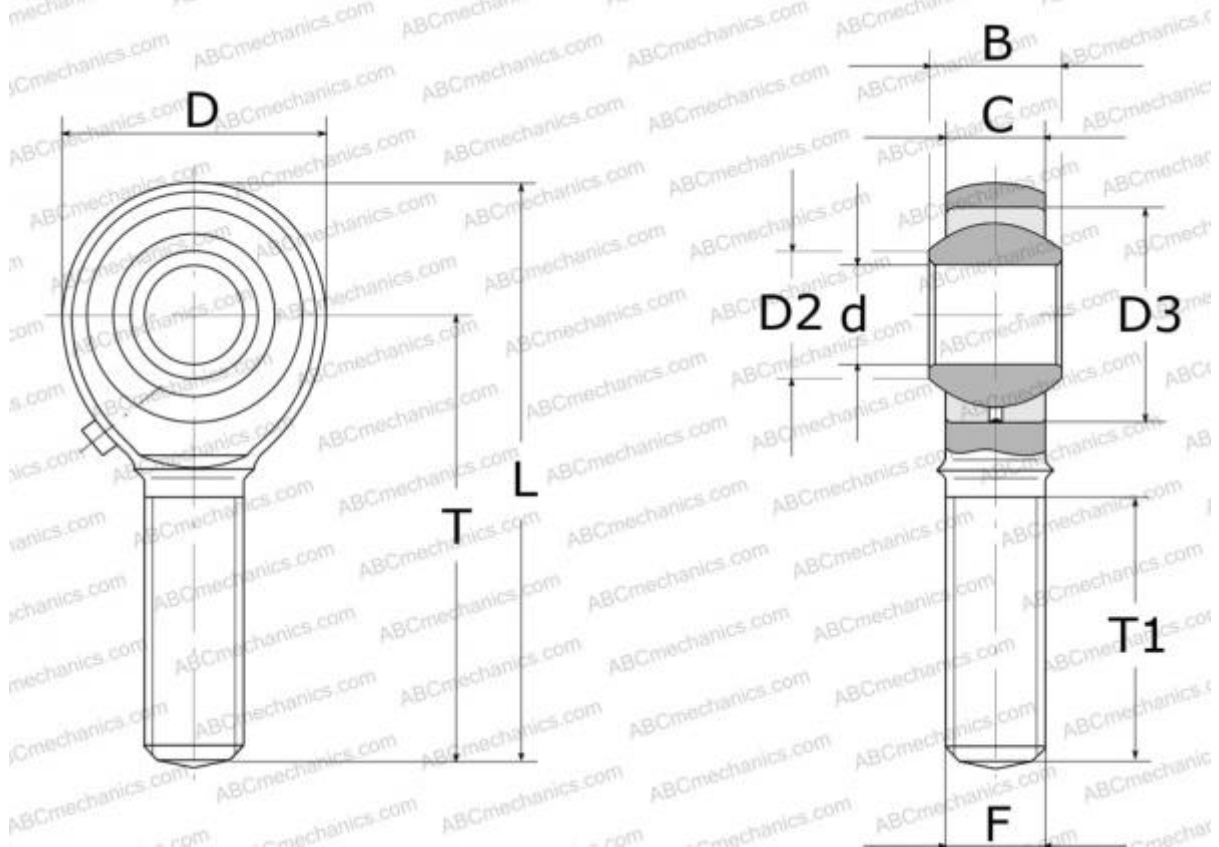


PHSB 10 IKO

Rod ends

TYPE: Plain bearings, Spherical plain bearings and rod ends, Rod ends, Requiring maintenance, With internal thread, open design, right hand thread, inch, series POSB, HM, VM, MM, TRE, RM



Technical specification

DIMENSIONS, MM

d	15,875
D	38,100
D2	21,310
B	19,050
B1	22,230
L	82,550
T	63,500
T1	38,100
C	14,270
F	.6250-18UNF

WEIGHT, KG 0,190

MANUFACTURER [IKO](http://www.iko.com)

CALCULATION DATA

Basic dynamic load rating, C	20,000 kN
Basic static load rating, Co	39,300 kN