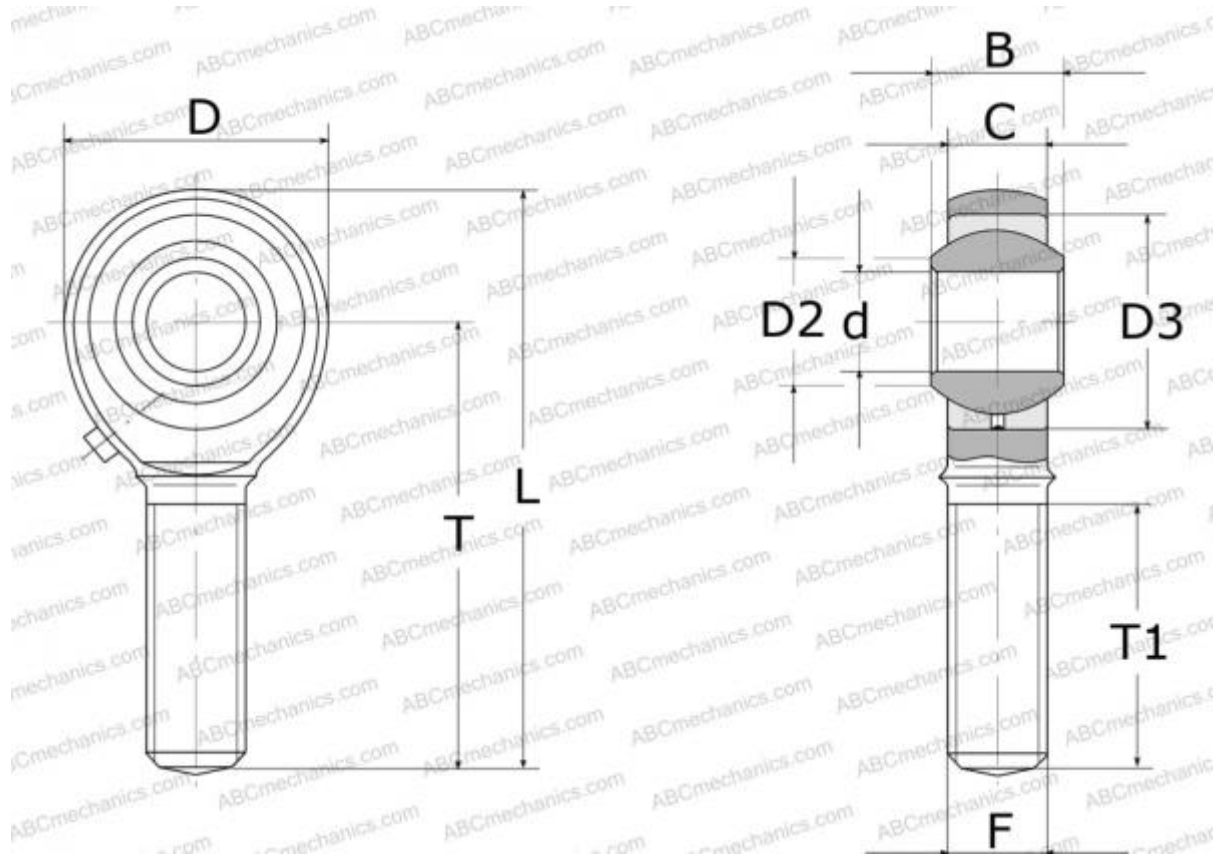


## POSB 2 L ABC

Rod ends

TYPE: Plain bearings, Spherical plain bearings and rod ends, Rod ends, Requiring maintenance, With internal thread, open design, left hand thread, inch, series POSB..L



### Technical specification

#### DIMENSIONS, MM

d	3,175
D	11,910
D2	4,750
B	6,350
L	29,770
T	23,800
T1	12,700
C	4,750
F	.1380-32UNC

**WEIGHT, KG** 0,006

**MANUFACTURER** [ABC](#)

#### INTERCHANGE

IKO [POSB 2 L](#)