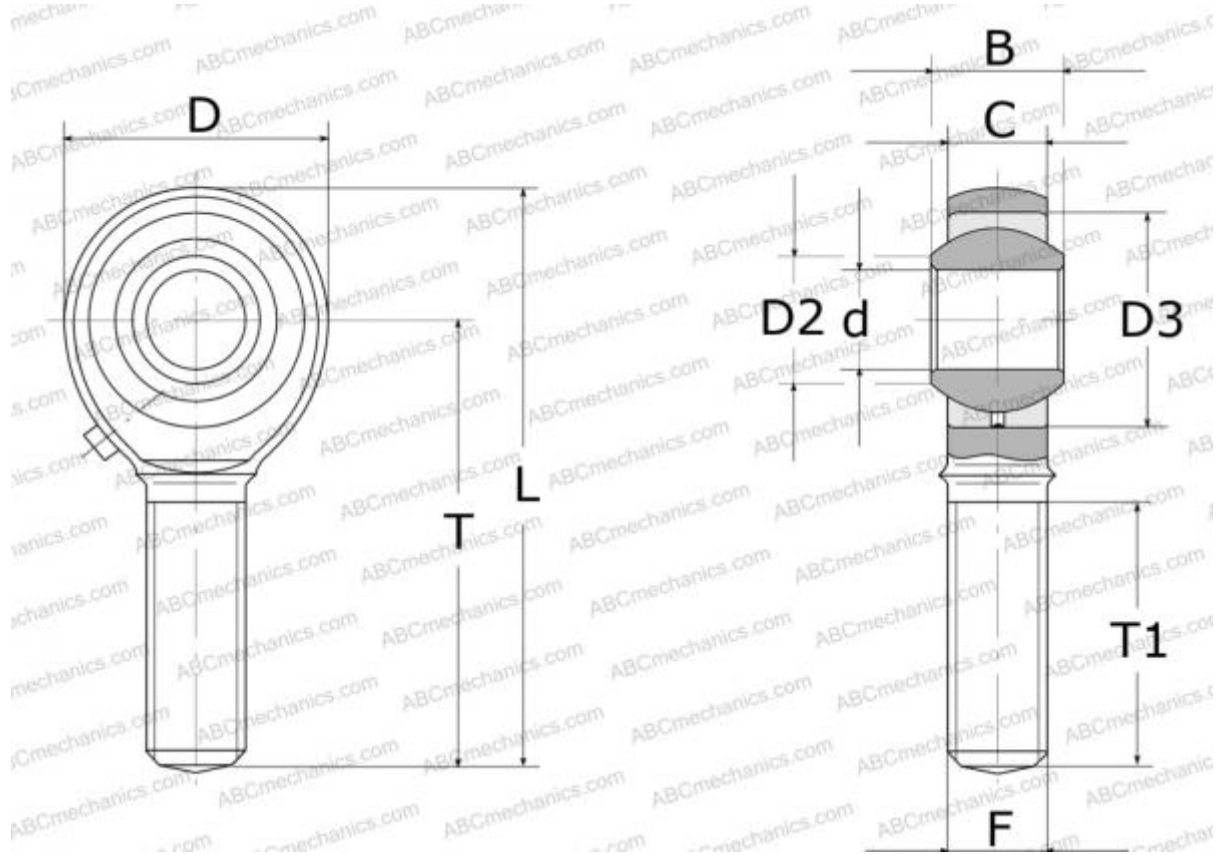


POSB 2.5 L IKO

Rod ends

TYPE: Plain bearings, Spherical plain bearings and rod ends, Rod ends, Requiring maintenance, With internal thread, open design, left hand thread, inch, series POSB..L



Technical specification

DIMENSIONS, MM

d	3,967
D	14,270
D2	6,320
B	7,140
L	35,710
T	28,580
T1	15,880
C	5,560
F	.1640-32UNC

WEIGHT, KG 0,009

MANUFACTURER [IKO](#)

INTERCHANGE

ABC [POSB 2.5 L](#)

CALCULATION DATA

Basic dynamic load rating, C	2,600 kN
Basic static load rating, Co	3,370 kN